

# Amiga

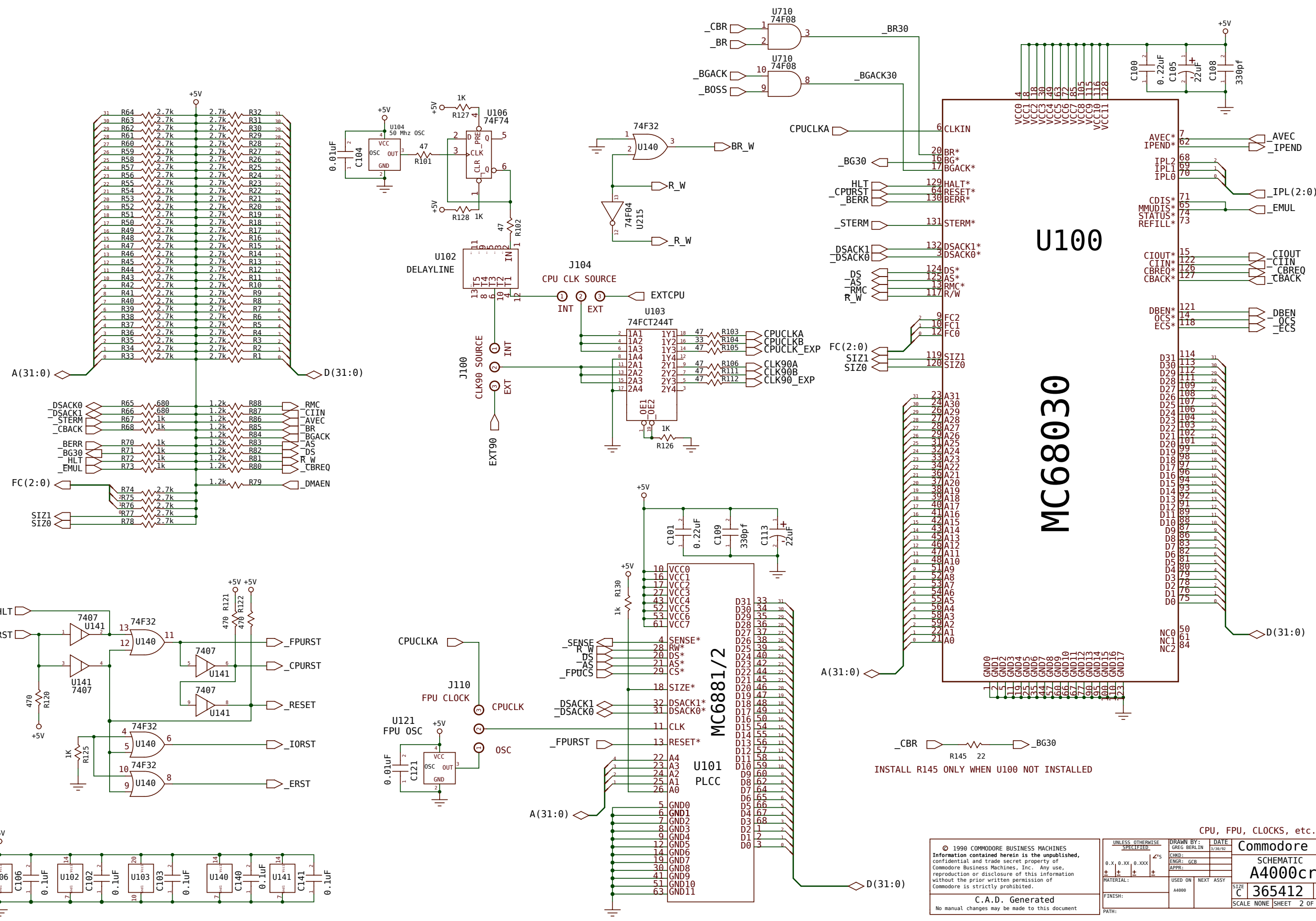
# A4000CR\_Rd

Rev.1.38 (28.12.2013)



[www.amigawiki.org](http://www.amigawiki.org)

---



© 1990 COMMODORE BUSINESS MACHINES  
 Information contained herein is the unpublished, confidential and trade secret property of Commodore Business Machines, Inc. Any use, reproduction or disclosure of this information without the prior written permission of Commodore is strictly prohibited.

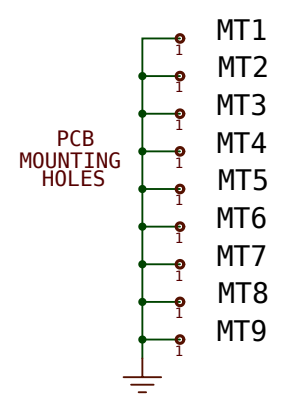
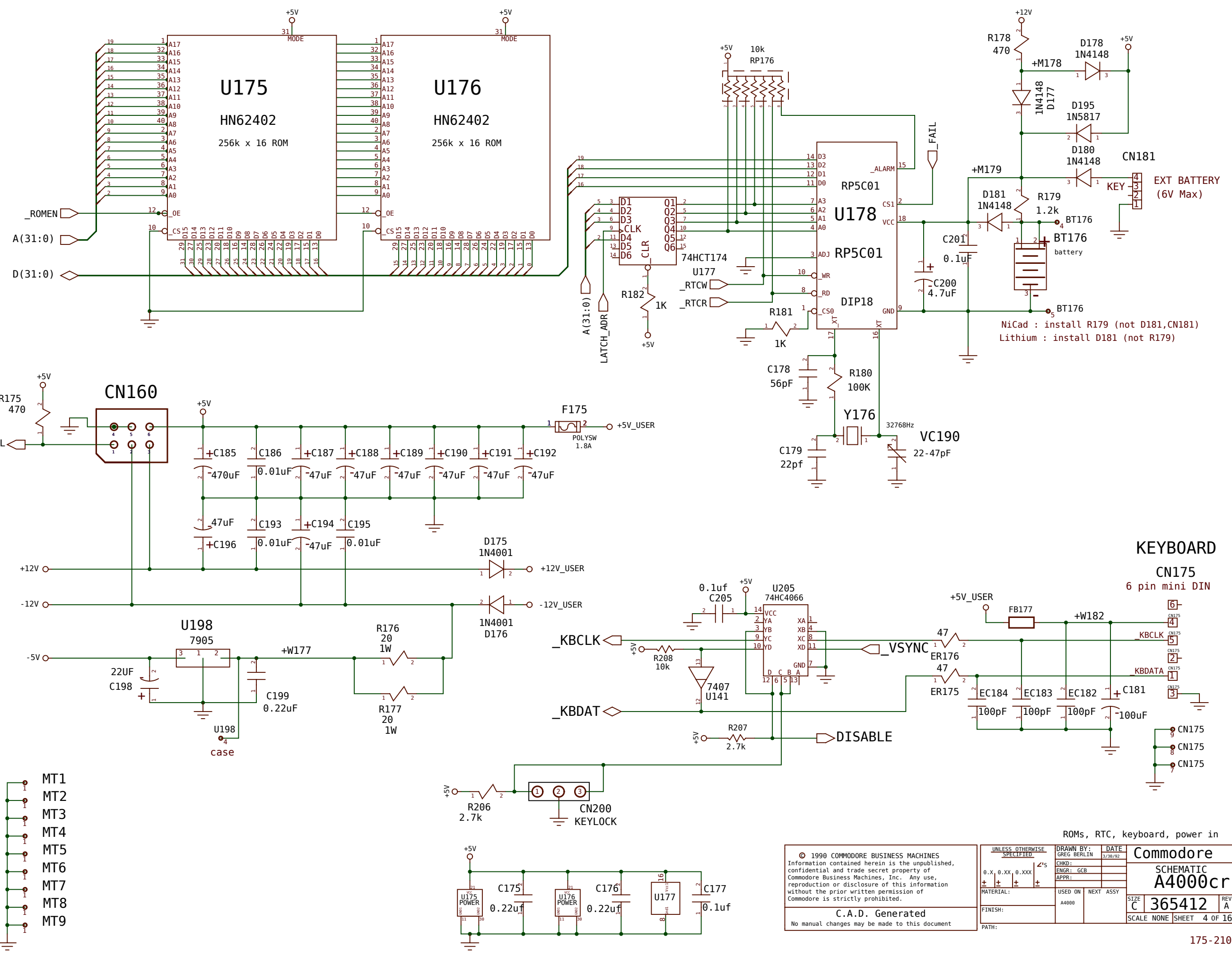
UNLESS OTHERWISE SPECIFIED: DRAWN BY: GREG BERLIN DATE: 1/30/92  
 CHKD: ENR: GCB  
 APPR: + + + +  
 MATERIAL: USED ON: A4000 NEXT ASSY:  
 FINISH: A4000

Commodore  
 SCHEMATIC  
 A4000c  
 SIZE: C 365412 REV: A  
 SCALE: NONE SHEET: 2 OF 16

C.A.D. Generated  
 No manual changes may be made to this document

Rev. 1.18 (28.12.2013)





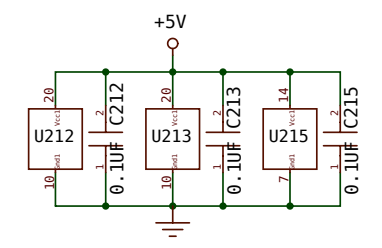
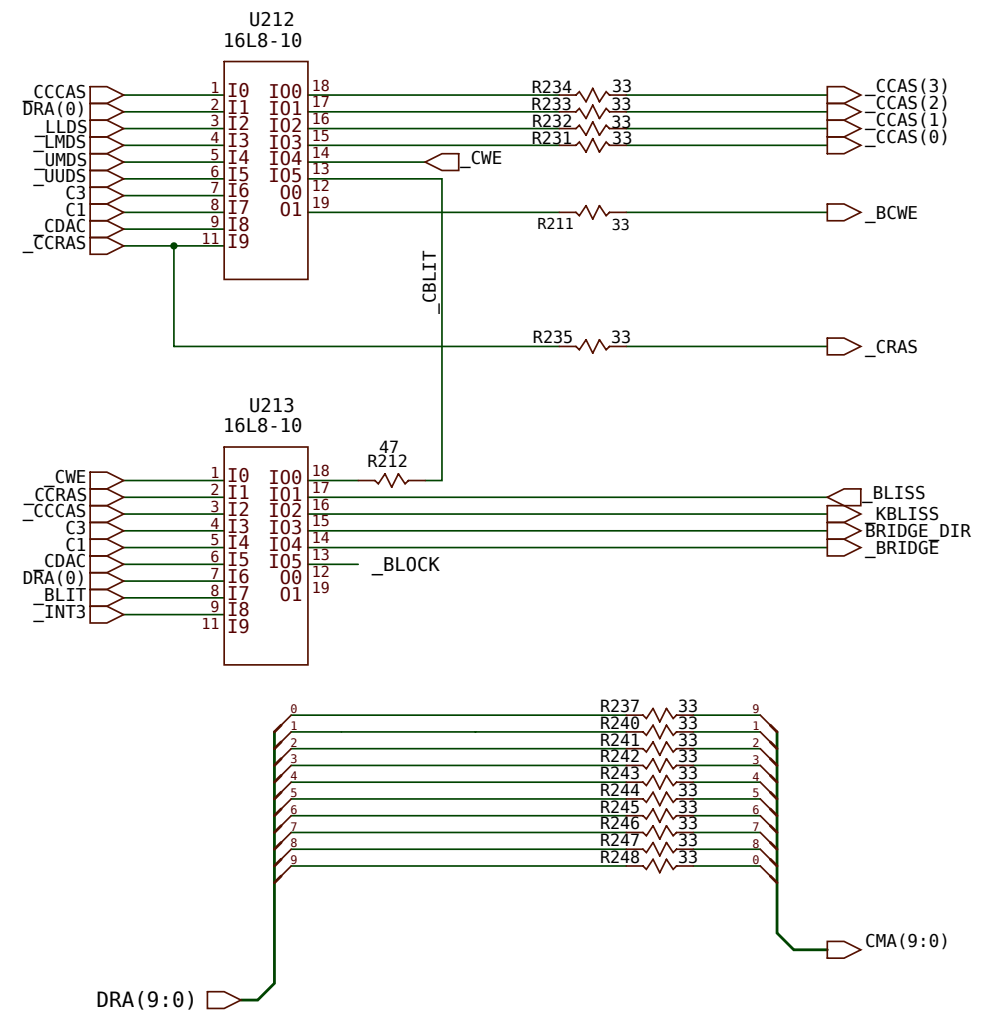
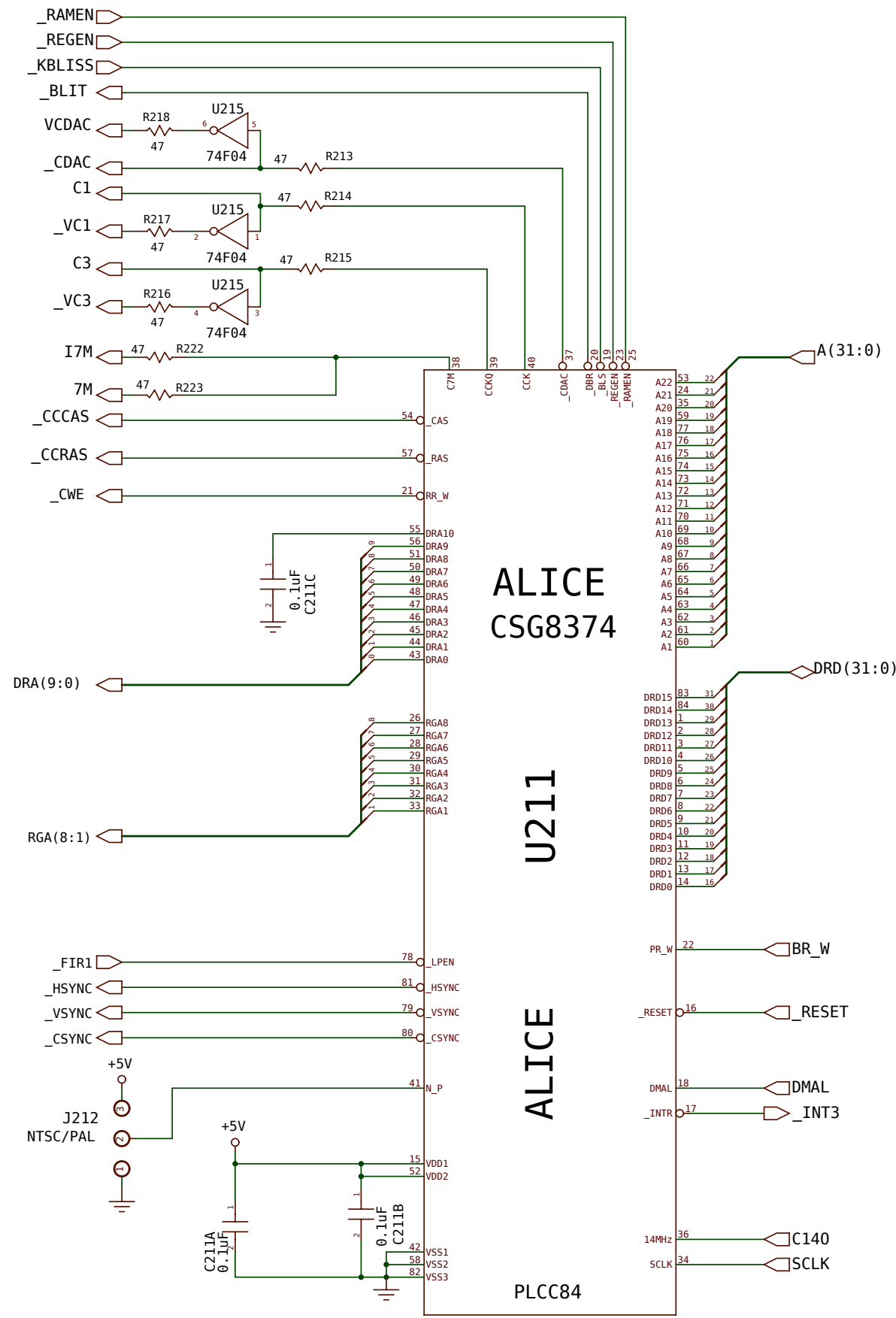
NiCad : install R179 (not D181,CN181)  
Lithium : install D181 (not R179)

**KEYBOARD**  
CN175  
6 pin mini DIN

ROMs, RTC, keyboard, power in

© 1990 COMMODORE BUSINESS MACHINES Information contained herein is the unpublished, confidential and trade secret property of Commodore Business Machines, Inc. Any use, reproduction or disclosure of this information without the prior written permission of Commodore is strictly prohibited.		UNLESS OTHERWISE SPECIFIED 0.X, 0.XX, 0.XXX + + + + FINISH:		DRAWN BY: GREG BERLIN CHKD: ENGR: GCB APPR: USED ON: A4000 NEXT ASSY:	DATE: 3/30/92 <b>Commodore</b> <b>SCHEMATIC</b> <b>A4000cr</b> SIZE: C SCALE: NONE SHEET: 4 OF 16
C.A.D. Generated No manual changes may be made to this document			PATH:		

Rev. 1.38 (28.12.2013)

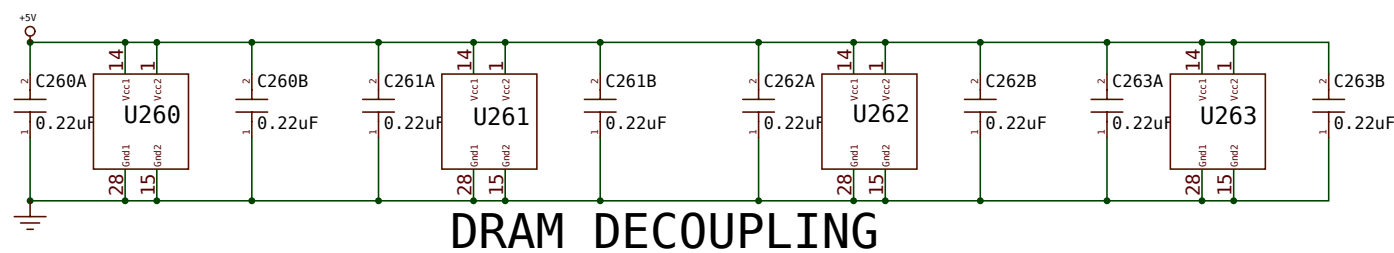
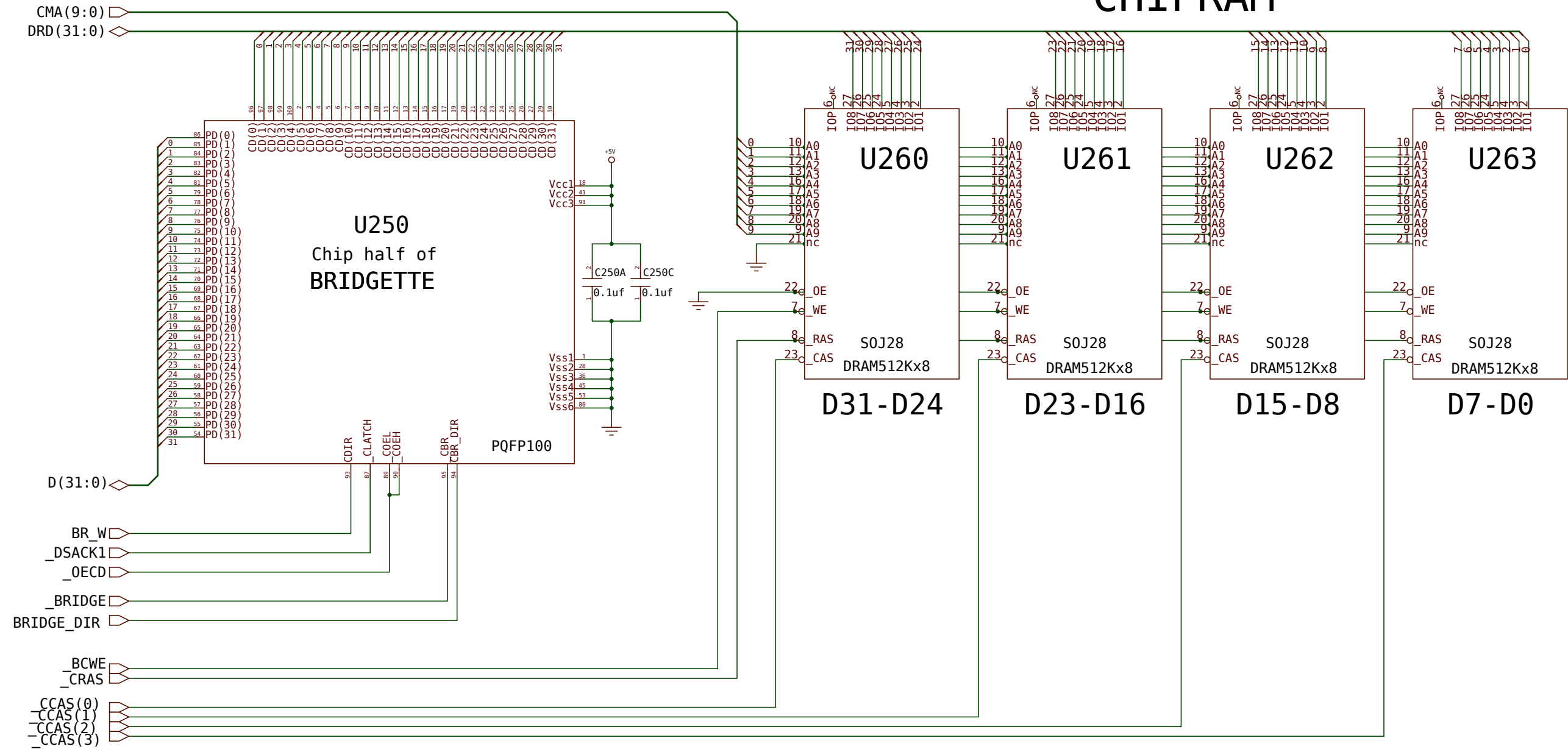


I want to live with the cinnamon girl

© 1992 COMMODORE-AMIGA, INC. Information contained herein is the unpublished, confidential and trade secret property of Commodore-Amiga, Inc. Any use, reproduction, or disclosure of this information without the prior written permission of Commodore is strictly prohibited.		UNLESS OTHERWISE SPECIFIED: DIMENSIONS: ± 0.1mm (0.005") MATERIAL: A4800 FINISH: USED ON NEXT ASSY	DRAWN BY: GREG BERLIN CHKD: ENGR: GCB APPR: DATE: 8/29/91	Commodore SCHEMATIC <b>A4000cr</b> SIZE C 365412 REV A SCALE NONE SHEET 5 OF 16
C.A.D. Generated No manual changes may be made to this document		PATH:		

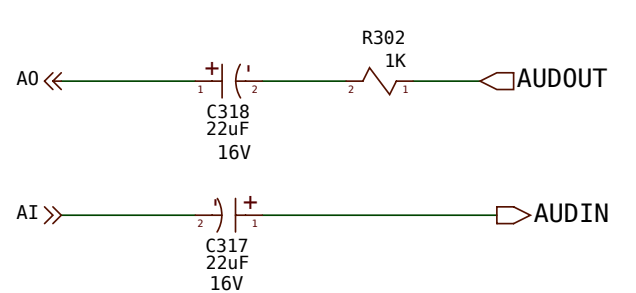
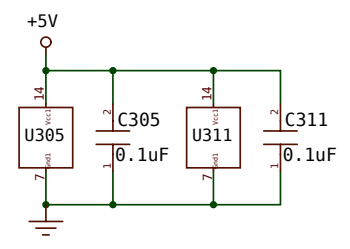
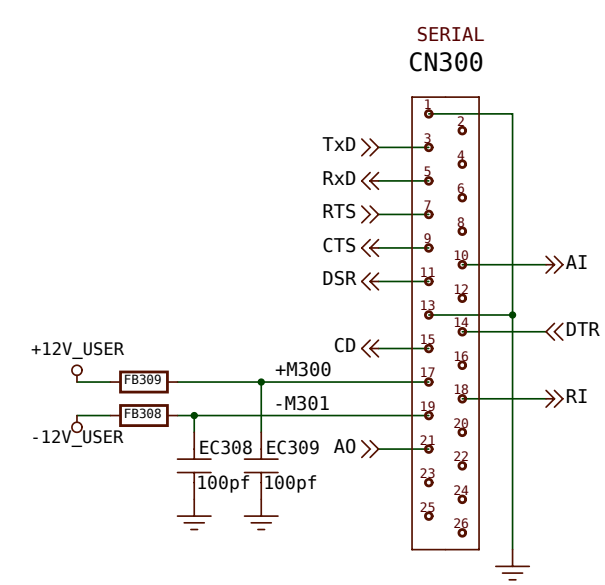
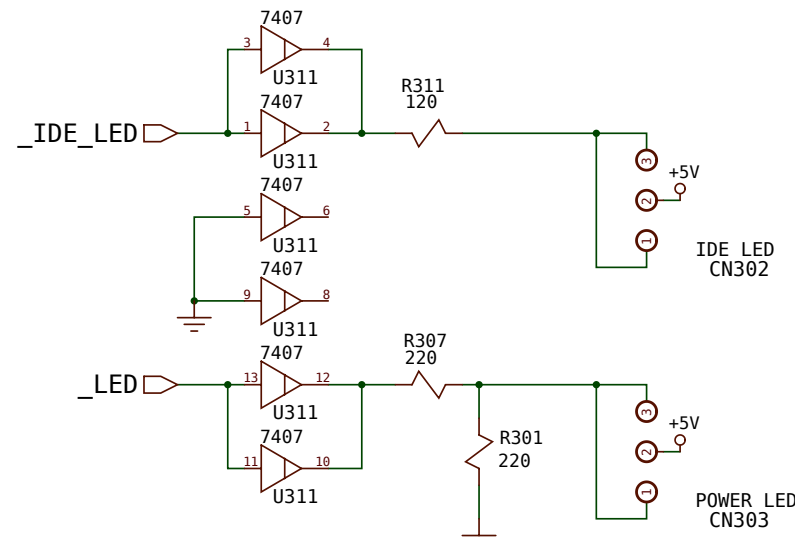
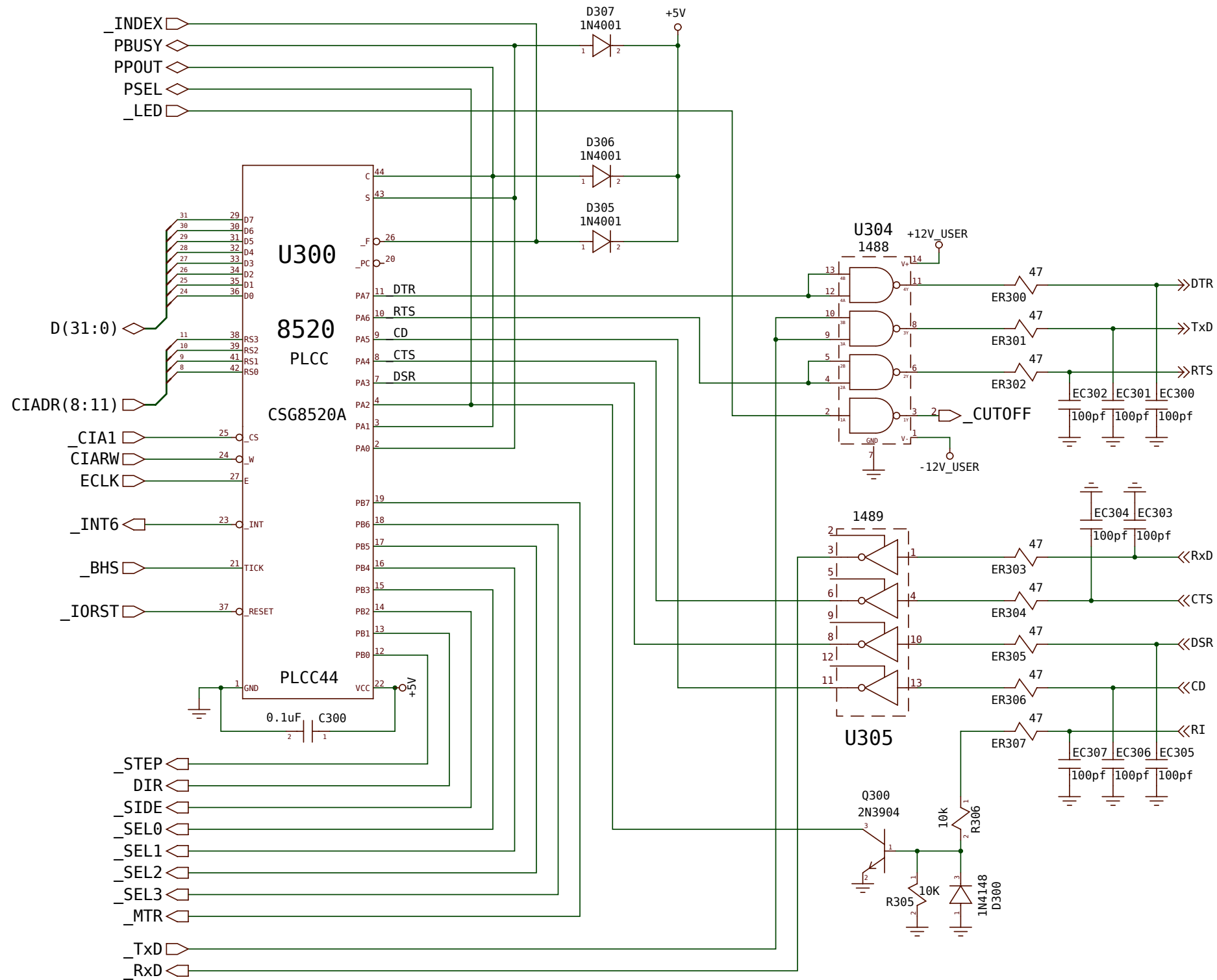
Rev. 1.38 (08.12.2013)

# CHIPRAM



UNLESS OTHERWISE SPECIFIED		DRAWN BY:	DATE:	Commodore	
		GREG BERLIN	2/20/92	SCHEMATIC	
		CHKD:		A4000cr	
		ENGR:	GCB	SIZE C 365412 REV A	
		APPR:		SCALE NONE SHEET 6 OF 16	
MATERIAL:		USED ON:	NEXT ASSY:		
FINISH:		A4000			
PATH:					

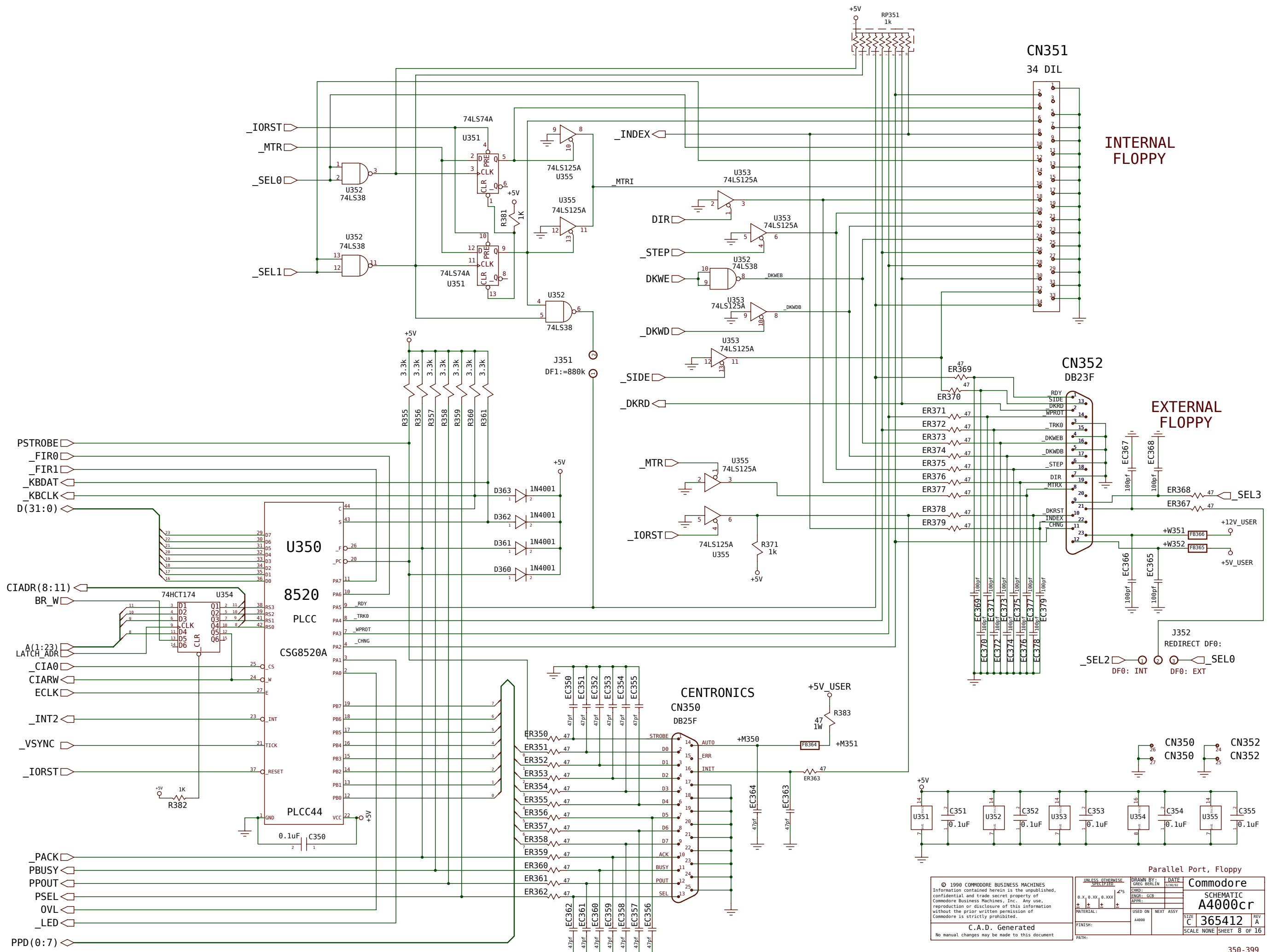
C.A.D. Generated  
No manual changes may be made to this document



© 1990 COMMODORE BUSINESS MACHINES Information contained herein is the unpublished, confidential and trade secret property of Commodore Business Machines, Inc. Any use, reproduction or disclosure of this information without the prior written permission of Commodore is strictly prohibited.		UNLESS OTHERWISE SPECIFIED: DIMENSIONS: MILLIMETERS FINISH:	DRAWN BY: GREG BERLIN ENGR: GCB APPR:	DATE: 3/30/92	<b>Commodore</b> <b>SCHEMATIC</b> <b>A4000cr</b>
C.A.D. Generated No manual changes may be made to this document		USED ON: A4000 NEXT ASSY:	SCALE: NONE	SHEET: 7 OF 16	REV: A SIZE: C SCALE: NONE

Serial Port

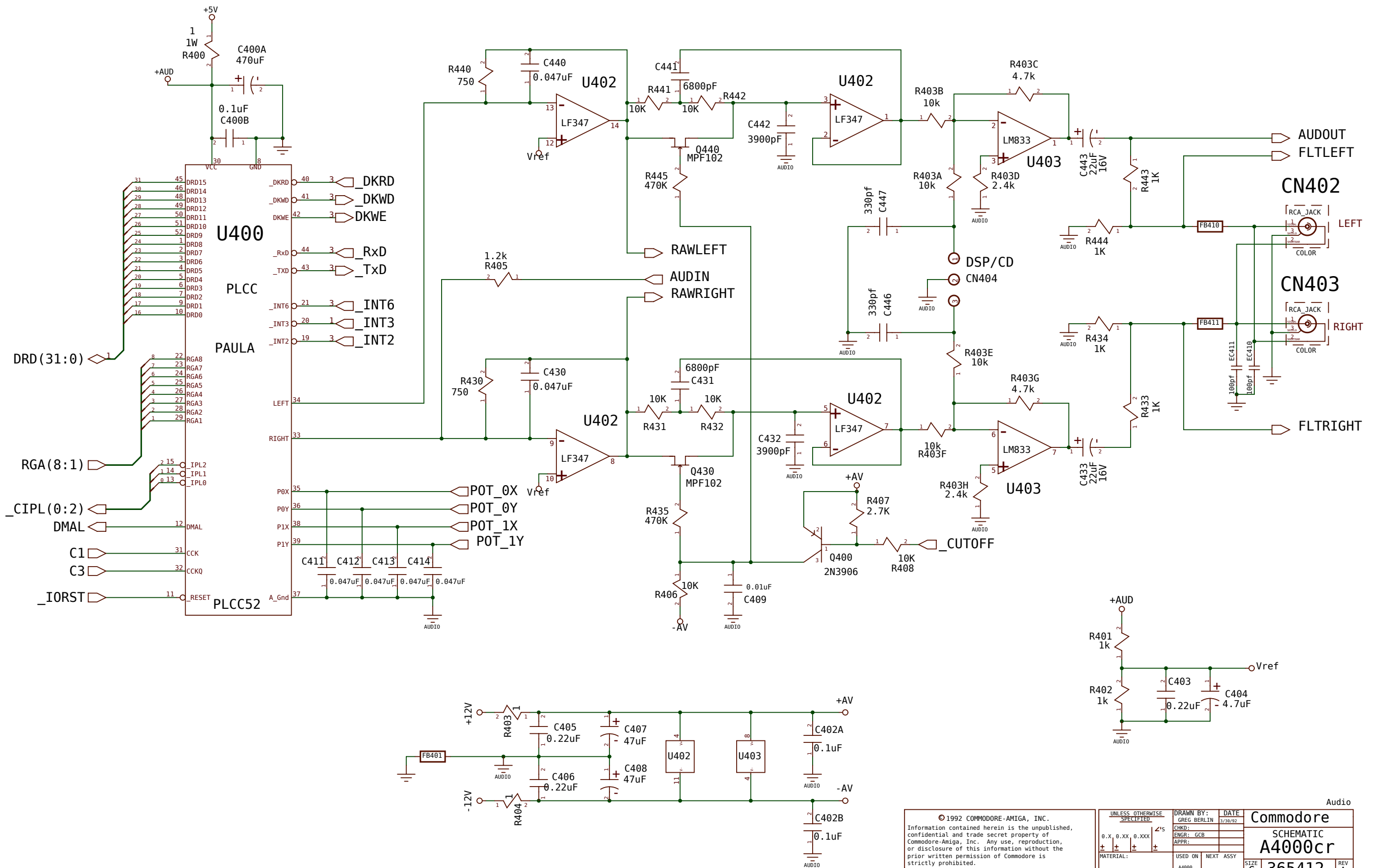




© 1990 COMMODORE BUSINESS MACHINES Information contained herein is the unpublished, confidential and trade secret property of Commodore Business Machines, Inc. Any use, reproduction or disclosure of this information without the prior written permission of Commodore is strictly prohibited.		DRAWN BY: GREG BERLIN DATE: 2/28/92		Commodore	
UNLESS OTHERWISE SPECIFIED: 0.X, 0.XX, 0.XXX + + + + MATERIAL: A4000		ENGR: GCB APPR:		SCHEMATIC A4000cr	
FINISH: C		USED ON NEXT ASSY		SIZE C SCALE NONE SHEET 8 OF 16	
C.A.D. Generated No manual changes may be made to this document		PATH:		REV A	

Rev. 1.38 (28.12.2013)

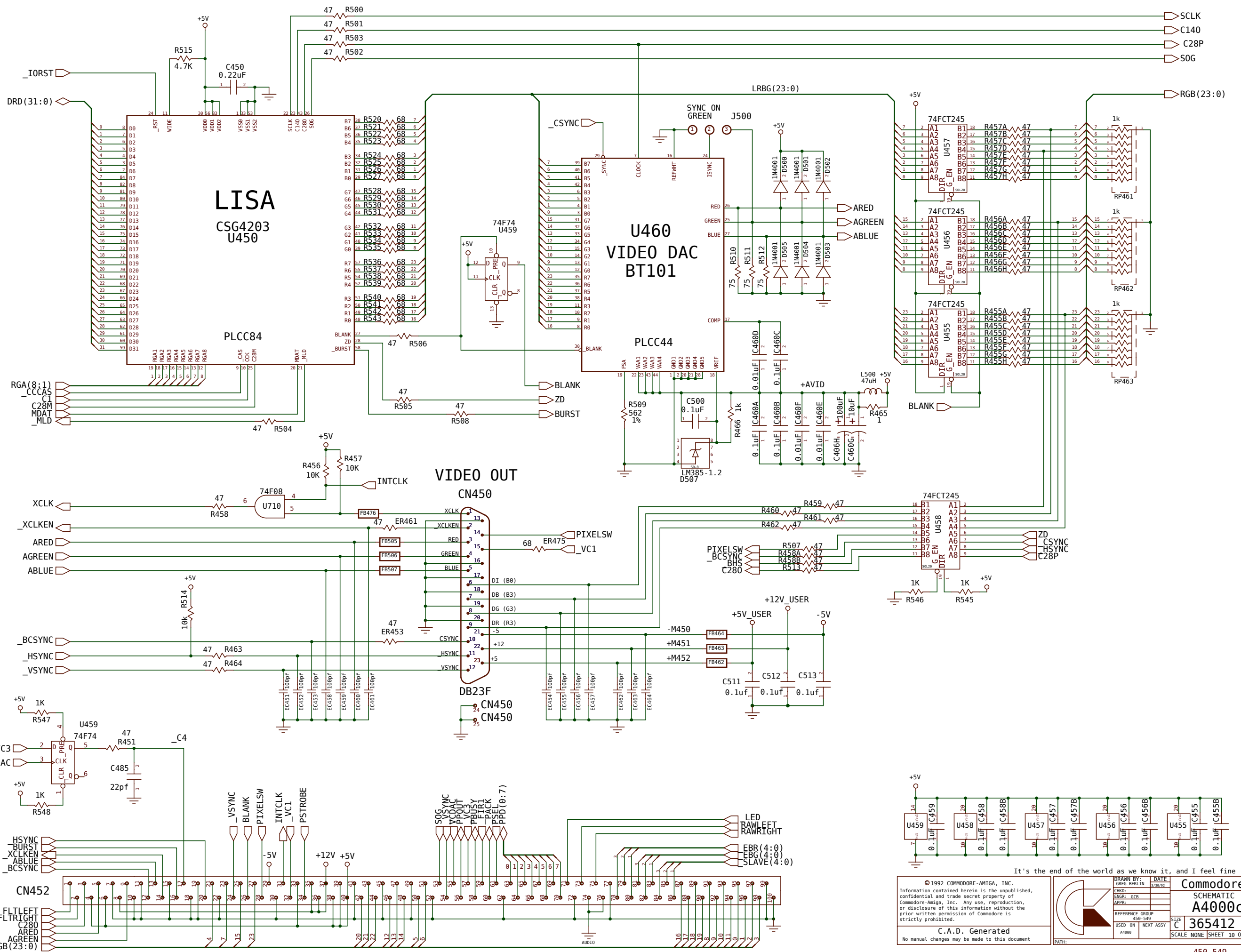




© 1992 COMMODORE-AMIGA, INC. Information contained herein is the unpublished, confidential and trade secret property of Commodore-Amiga, Inc. Any use, reproduction, or disclosure of this information without the prior written permission of Commodore is strictly prohibited.		UNLESS OTHERWISE SPECIFIED 0.X 0.XX 0.XXX ± ± ± ± MATERIAL: FINISH: PATH:	DRAWN BY: GREG BERLIN ENGR: GCB APPR: USED ON: A4000 NEXT ASSY:	DATE: 3/30/92 <b>Commodore</b> <b>SCHEMATIC</b> <b>A4000cr</b> SIZE C SCALE NONE SHEET 9 OF 16
---	--	--	---	--

C.A.D. Generated  
No manual changes may be made to this document

Audio



It's the end of the world as we know it, and I feel fine

© 1992 COMMODORE-AMIGA, INC.  
 Information contained herein is the unpublished, confidential and trade secret property of Commodore-Amiga, Inc. Any use, reproduction, or disclosure of this information without the prior written permission of Commodore is strictly prohibited.

Commodore  
 SCHEMATIC  
**A4000c**

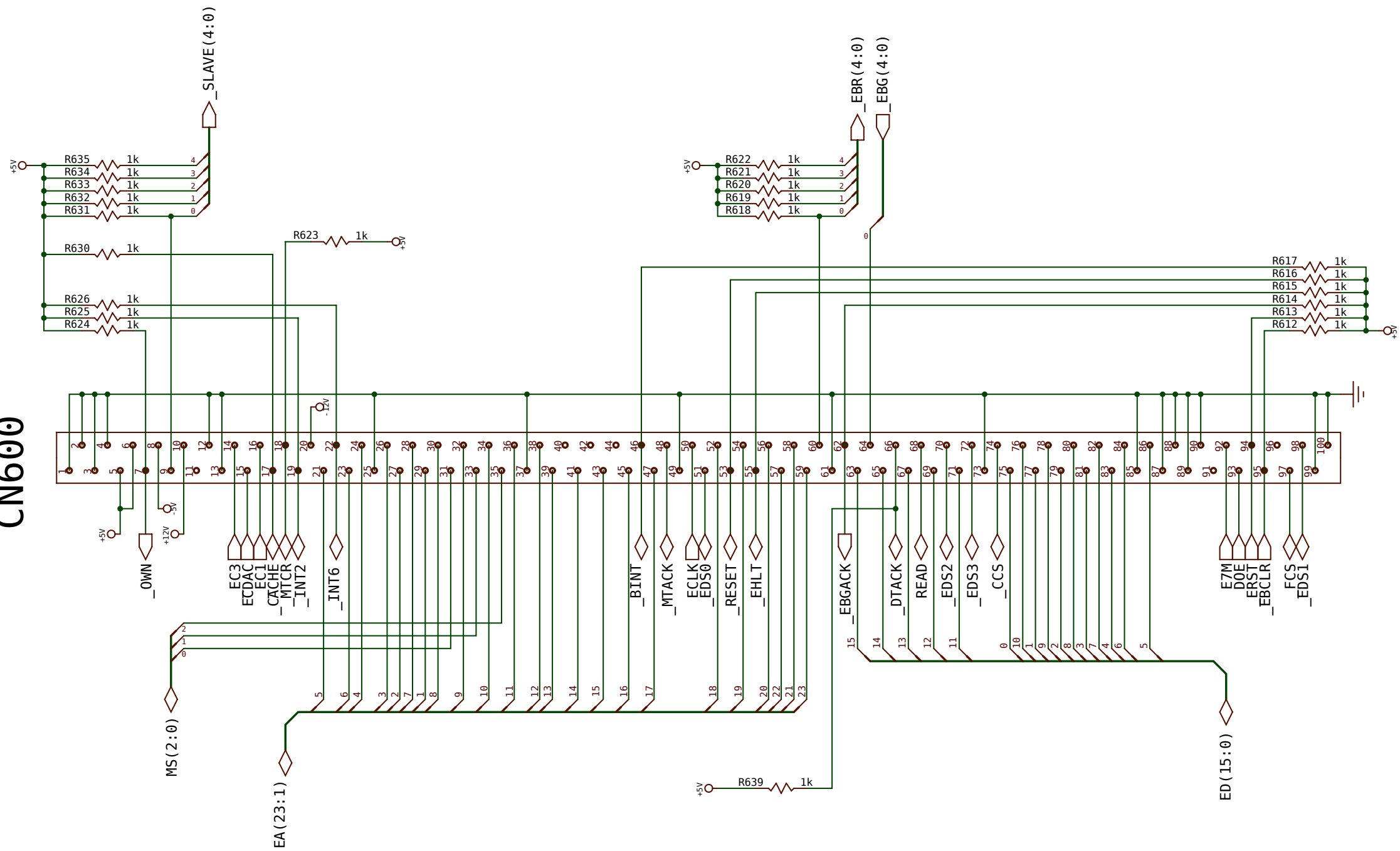
DRAWN BY: GREG BERLIN DATE: 1/28/92  
 ENGR: GCB  
 APPR:  
 REFERENCE GROUP: 450-549  
 USED ON NEXT ASSY: A4000

C.A.D. Generated  
 No manual changes may be made to this document

SIZE: C 365412 REV: A  
 SCALE: NONE SHEET 10 OF 16

Rev. 1.38 (28.12.2013)

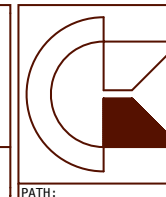
# CN600



Expansion Bus Connector

© 1990 COMMODORE BUSINESS MACHINES  
 Information contained herein is the unpublished,  
 confidential and trade secret property of  
 Commodore Business Machines, Inc. Any use,  
 reproduction or disclosure of this information  
 without the prior written permission of  
 Commodore is strictly prohibited.

C.A.D. Generated  
 No manual changes may be made to this document

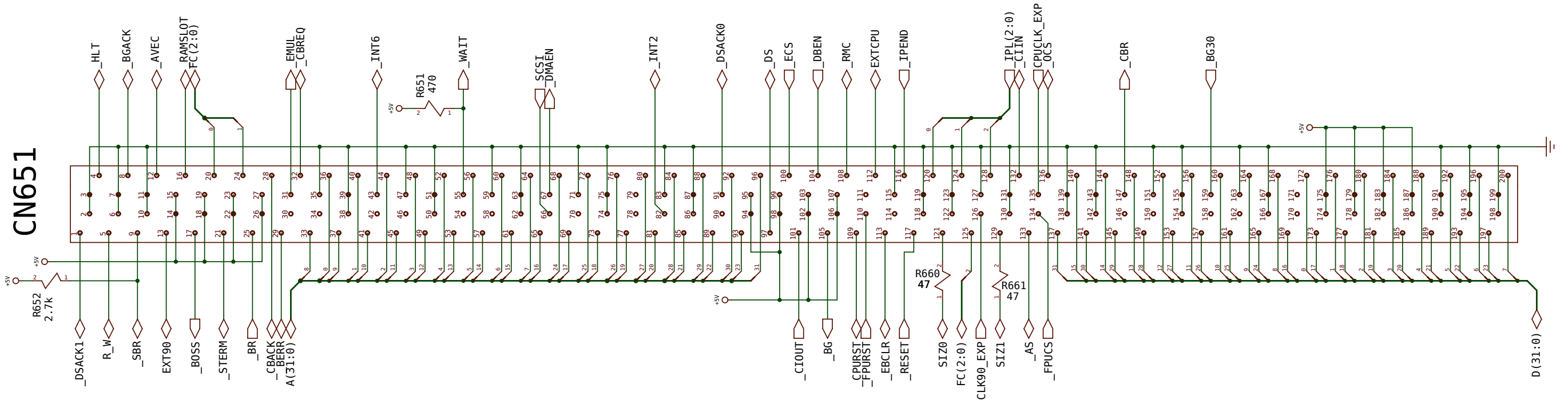


DRAWN BY: GREG BERLIN	DATE: 3/30/92
CHKD:	
ENGR: GCB	
APPR:	
USED ON A4000	NEXT ASSY

Commodore	
SCHEMATIC	
A4000cr	
SIZE C	365412
SCALE NONE	SHEET 11 OF 16
REV A	

Rev. 1.38 (28.12.2013)

# Amiga 32 BIT LOCAL SLOT

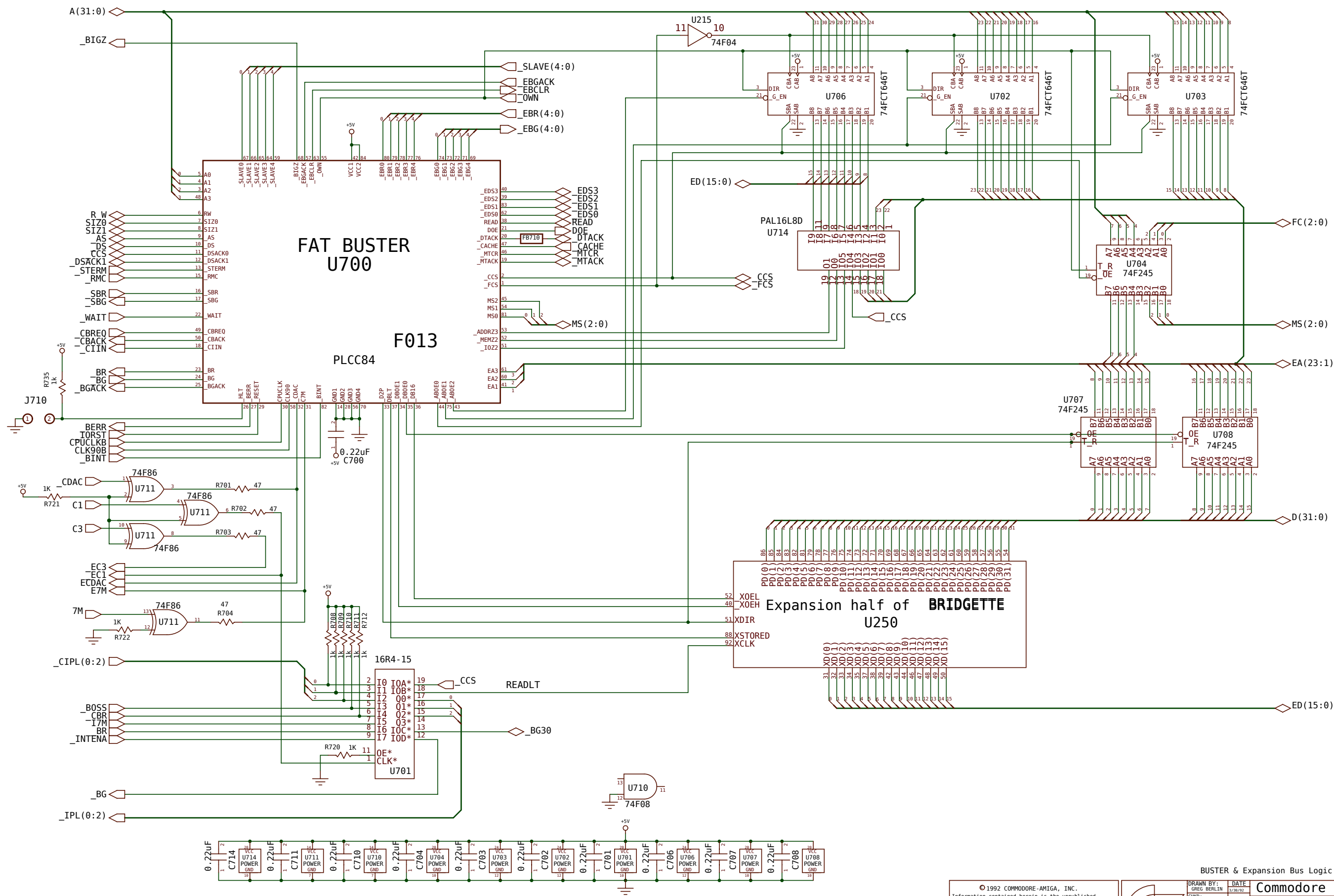


Rev. 1.38 (08.12.2013)


© 1990 COMMODORE BUSINESS MACHINES  
 Information contained herein is the unpublished,  
 confidential and trade secret property of  
 Commodore Business Machines, Inc. Any use,  
 reproduction or disclosure of this information  
 without the prior written permission of  
 Commodore is strictly prohibited.  
**C.A.D. Generated**  
 No manual changes may be made to this document

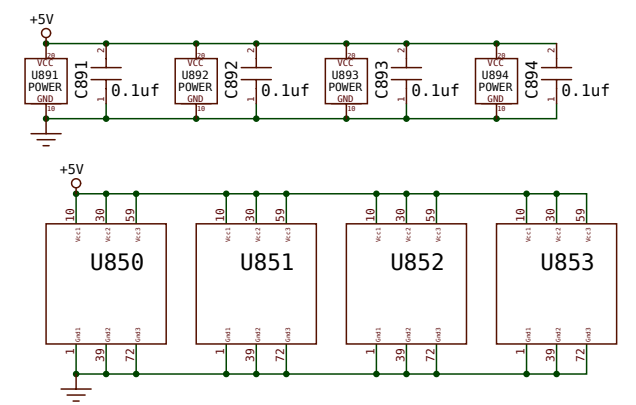
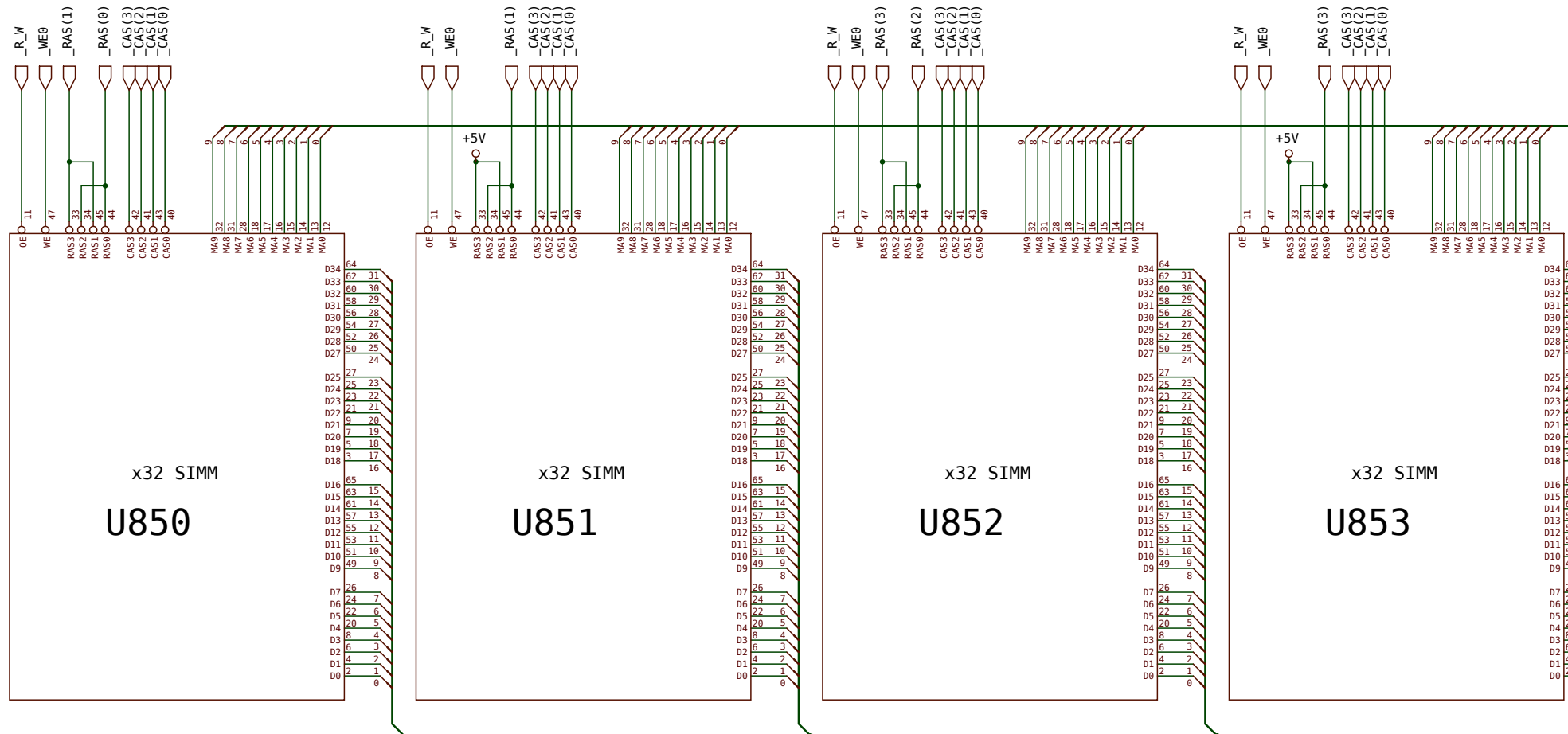
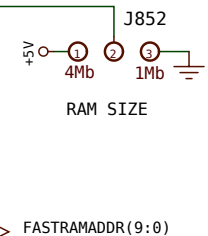
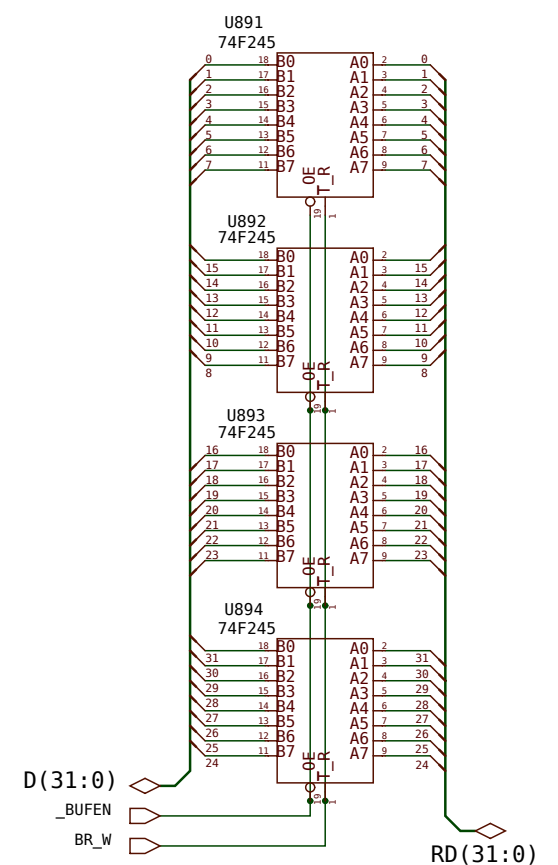
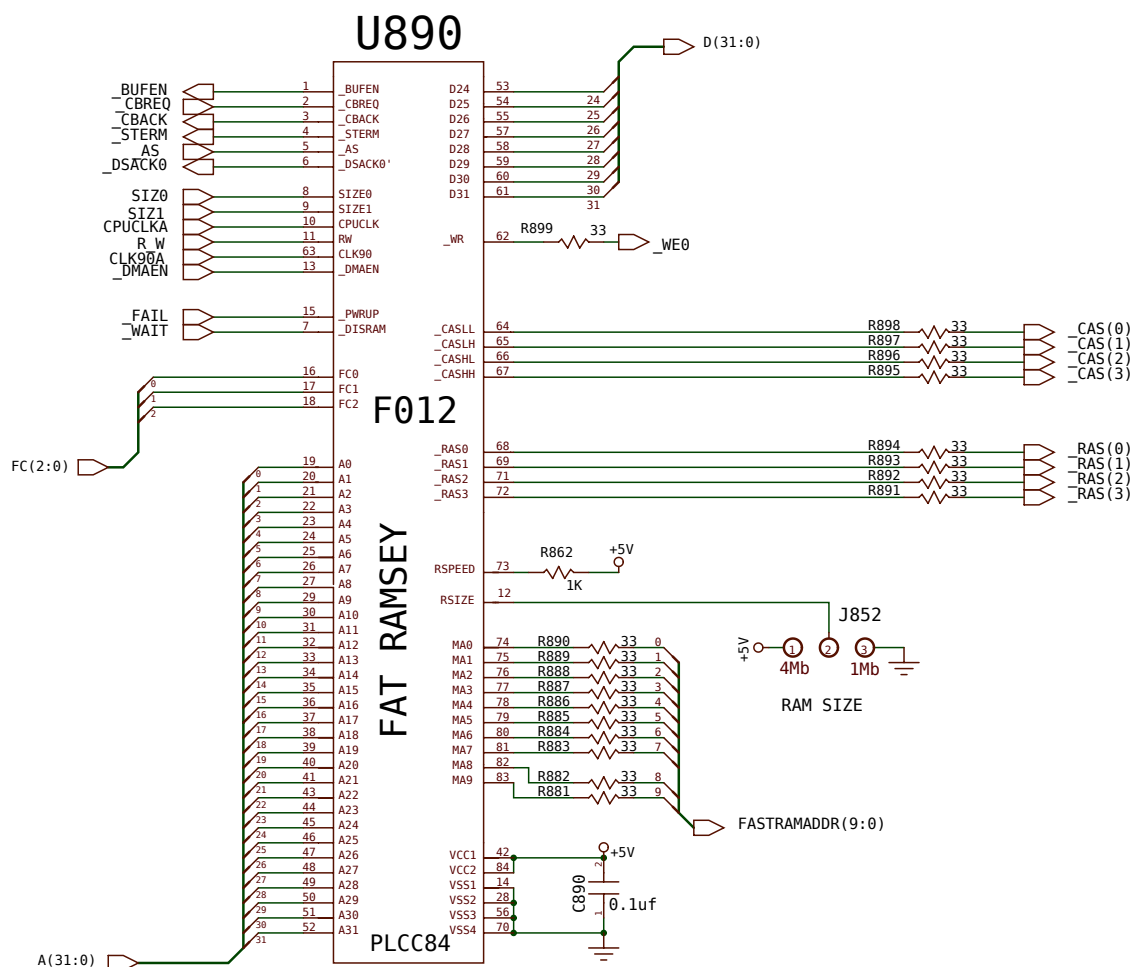
DRAWN BY: GREG BERLIN		DATE 1/30/92	Commodore	
CHKD: ENGR: GCB			SCHEMATIC	
APPR:			A4000cr	
USED ON	NEXT ASSY		SIZE C	REV A
A4000			365412	
PATH:			SCALE NONE	SHEET 12 OF 16

Local Bus / Coprocessor Connector



BUSTER & Expansion Bus Logic

© 1992 COMMODORE-AMIGA, INC. Information contained herein is the unpublished, confidential and trade secret property of Commodore-Amiga, Inc. Any use, reproduction, or disclosure of this information without the prior written permission of Commodore is strictly prohibited.			DRAWN BY: GREG BERLIN ENGR: GCB APPR:	DATE: 1/28/92 USED ON: A4000 NEXT ASSY:	<b>Commodore</b> SCHEMATIC <b>A4000cr</b>
C.A.D. Generated No manual changes may be made to this document			SIZE: C SCALE: NONE	REV: A <b>365412</b> SHEET 13 OF 16	



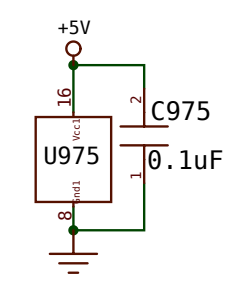
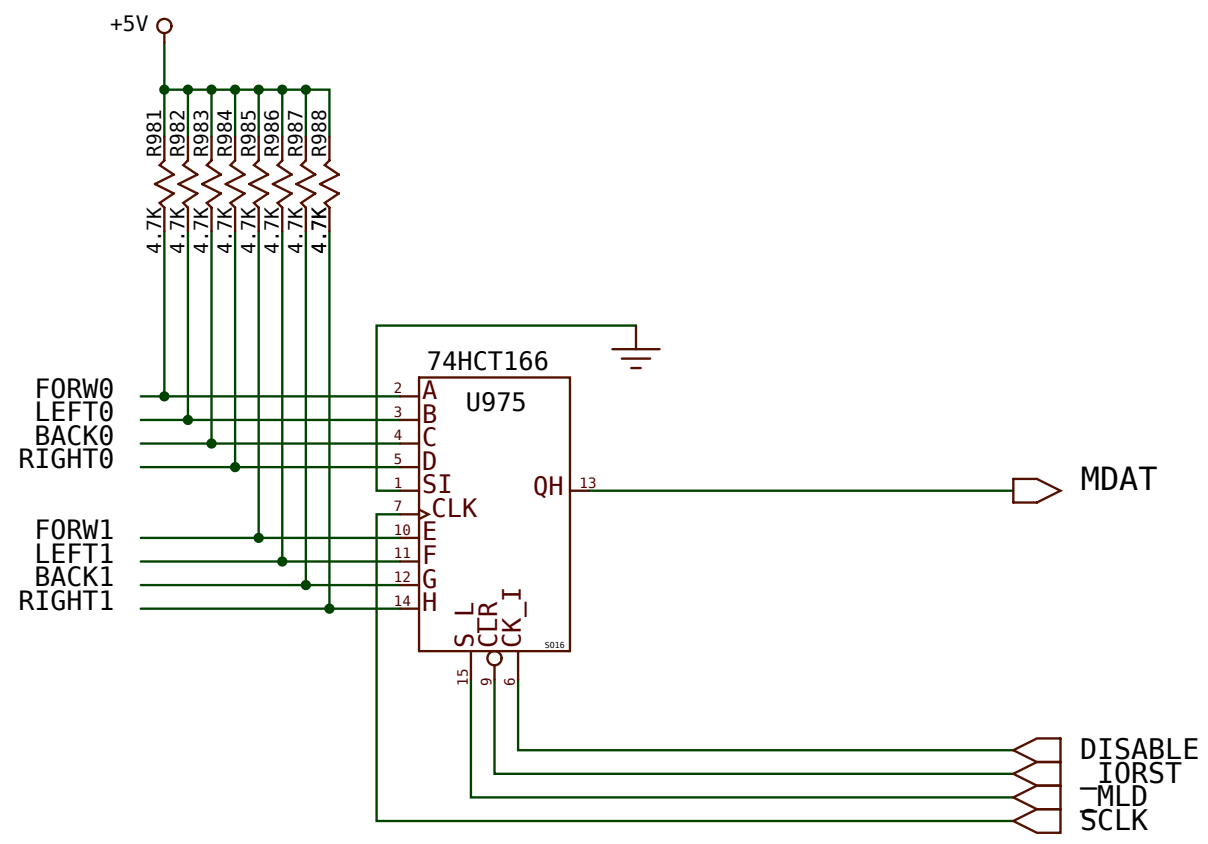
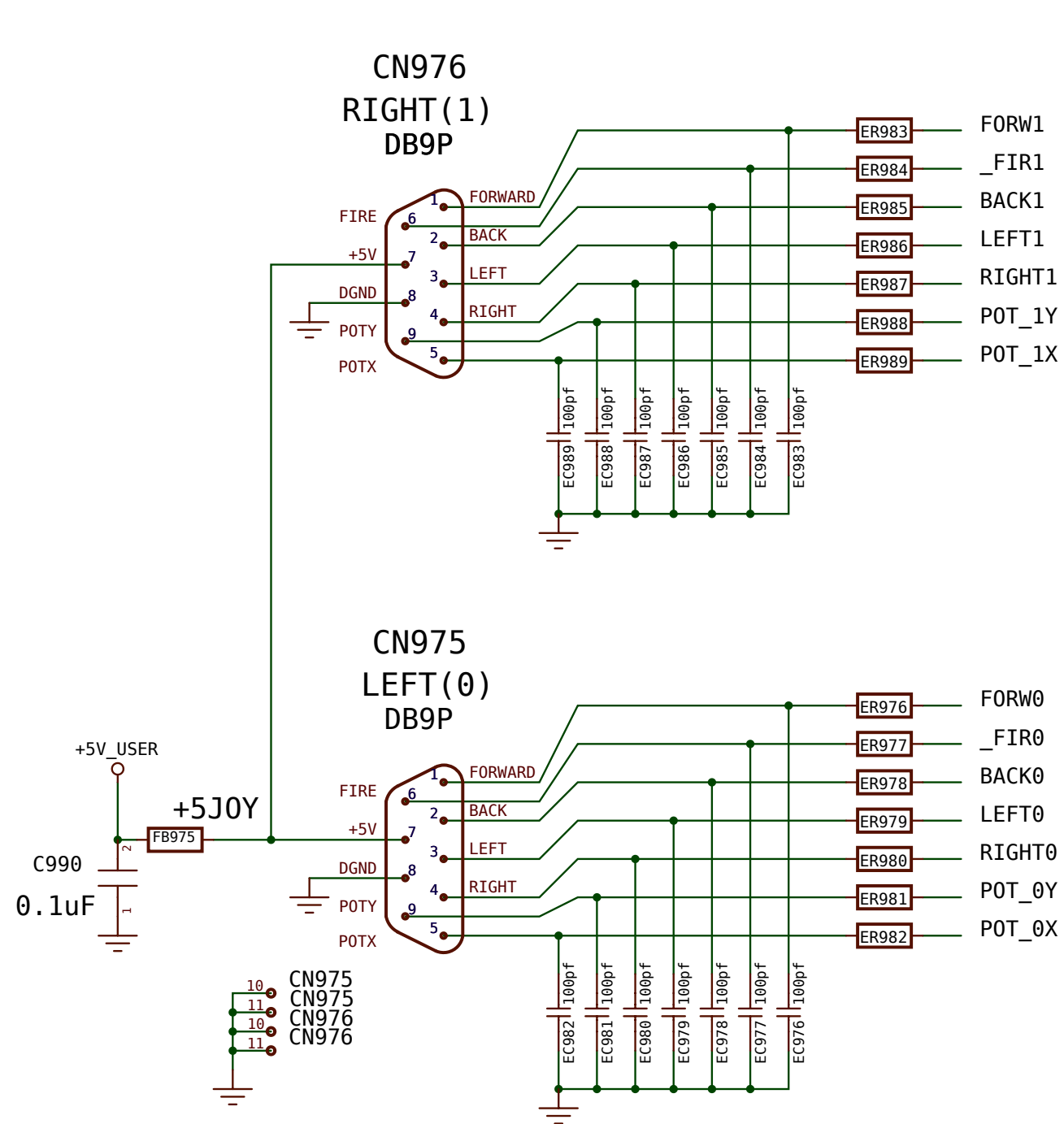
© 1990 COMMODORE BUSINESS MACHINES Information contained herein is the unpublished, confidential, and trade secret property of Commodore Business Machines, Inc. Any use, reproduction or disclosure of this information without the prior written permission of Commodore is strictly prohibited.		UNLESS OTHERWISE SPECIFIED: DIMENSIONS: 0.X, 0.XX, 0.XXX TOLERANCES: MATERIAL: FINISH: PATH:	DRAWN BY: GREG BERLIN DATE: 11/28/92 ENGR: GCB APPR: USED ON: A4000 NEXT ASSY:	Commodore SCHEMATIC A4000cr C 365412 SCALE NONE SHEET 14 OF 16
---	--	---	---	--

C.A.D. Generated  
No manual changes may be made to this document









Rev. 1.38 (28.12.2013)

Mouse & Joystick connectors

© 1990 COMMODORE BUSINESS MACHINES Information contained herein is the unpublished, confidential and trade secret property of Commodore Business Machines, Inc. Any use, reproduction or disclosure of this information without the prior written permission of Commodore is strictly prohibited.  <b>C.A.D. Generated</b> No manual changes may be made to this document	UNLESS OTHERWISE SPECIFIED 0.X, 0.XX, 0.XXX ±1% MATERIAL: ± ± ± ± FINISH:	DRAWN BY: GREG BERLIN DATE: 3/30/92 CHKD: ENGR: GCB APPR:	<b>Commodore</b> <b>SCHEMATIC</b> <b>A4000cr</b> SIZE C 365412 REV A SCALE NONE SHEET 16 OF 16	
	USED ON: A4000 NEXT ASSY:	PATH:		