

# Amiga

## A600\_R2

Rev.1.37 (02.09.2012)

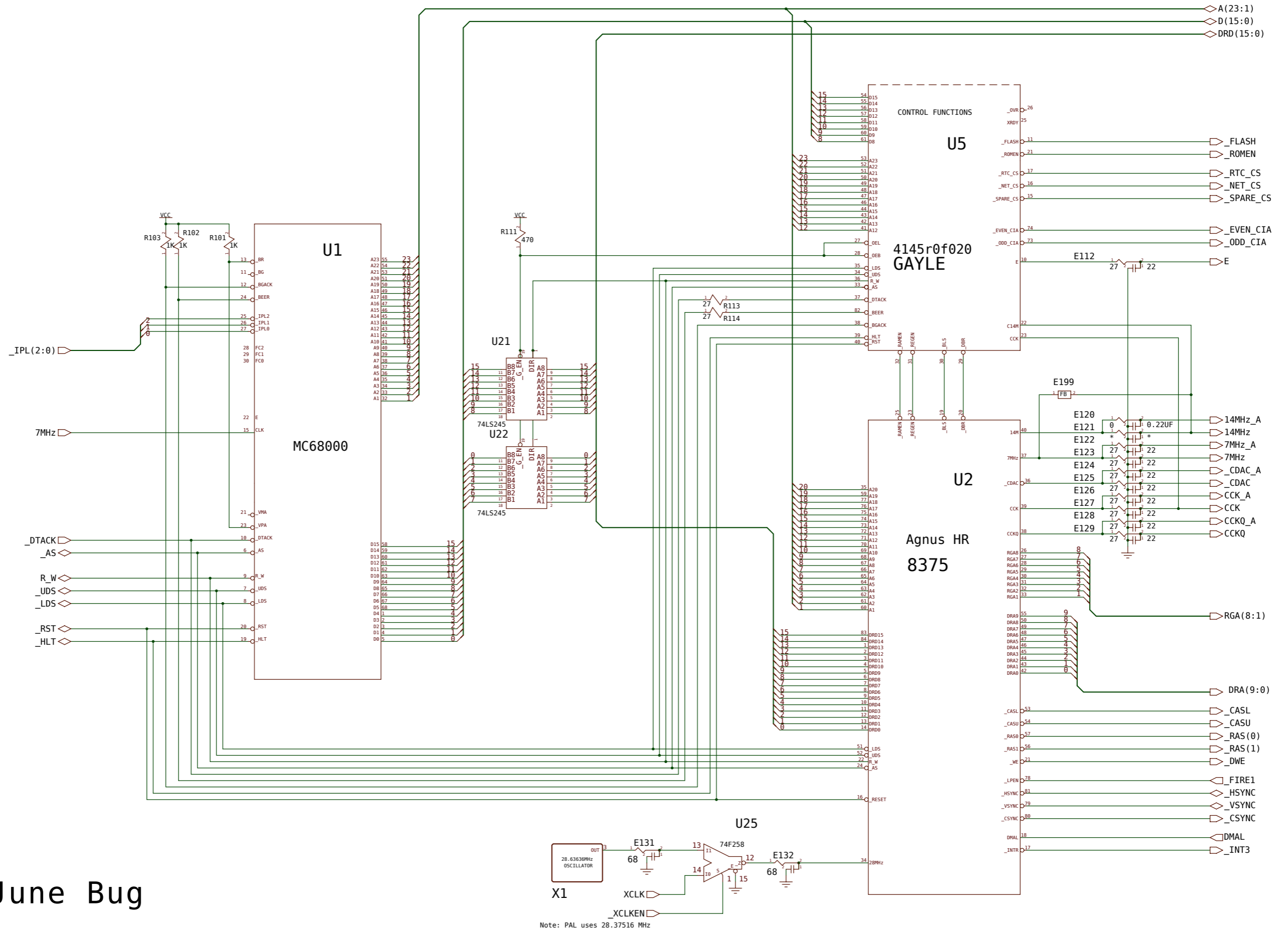


[www.amigawiki.org](http://www.amigawiki.org)

---

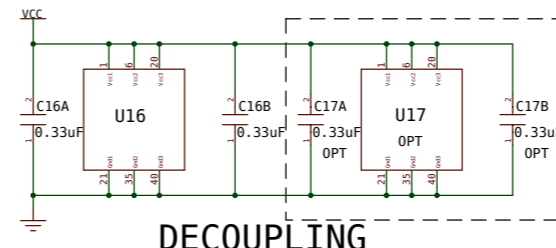
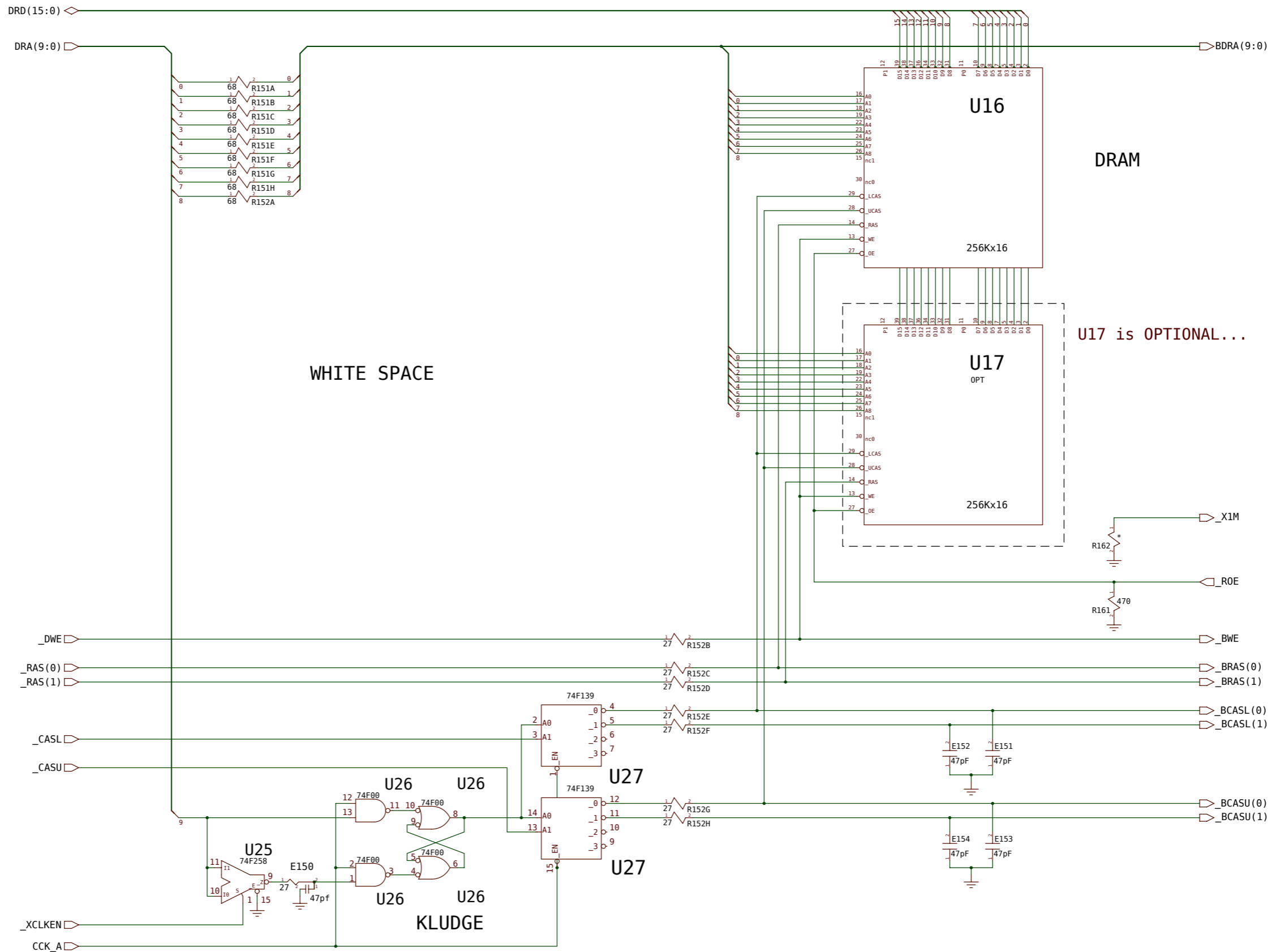


Note: Various components are for EMI Control  
and may be loaded with funny things...



June Bug  
04/09/92  
A600 Rev 2D PCB

Note: PAL uses 28.37516 MHz



# A600 Rev 2D PCB

Rev 1.12 (05.05.2021)

© rebuild for www.amigawiki.org · for private use only

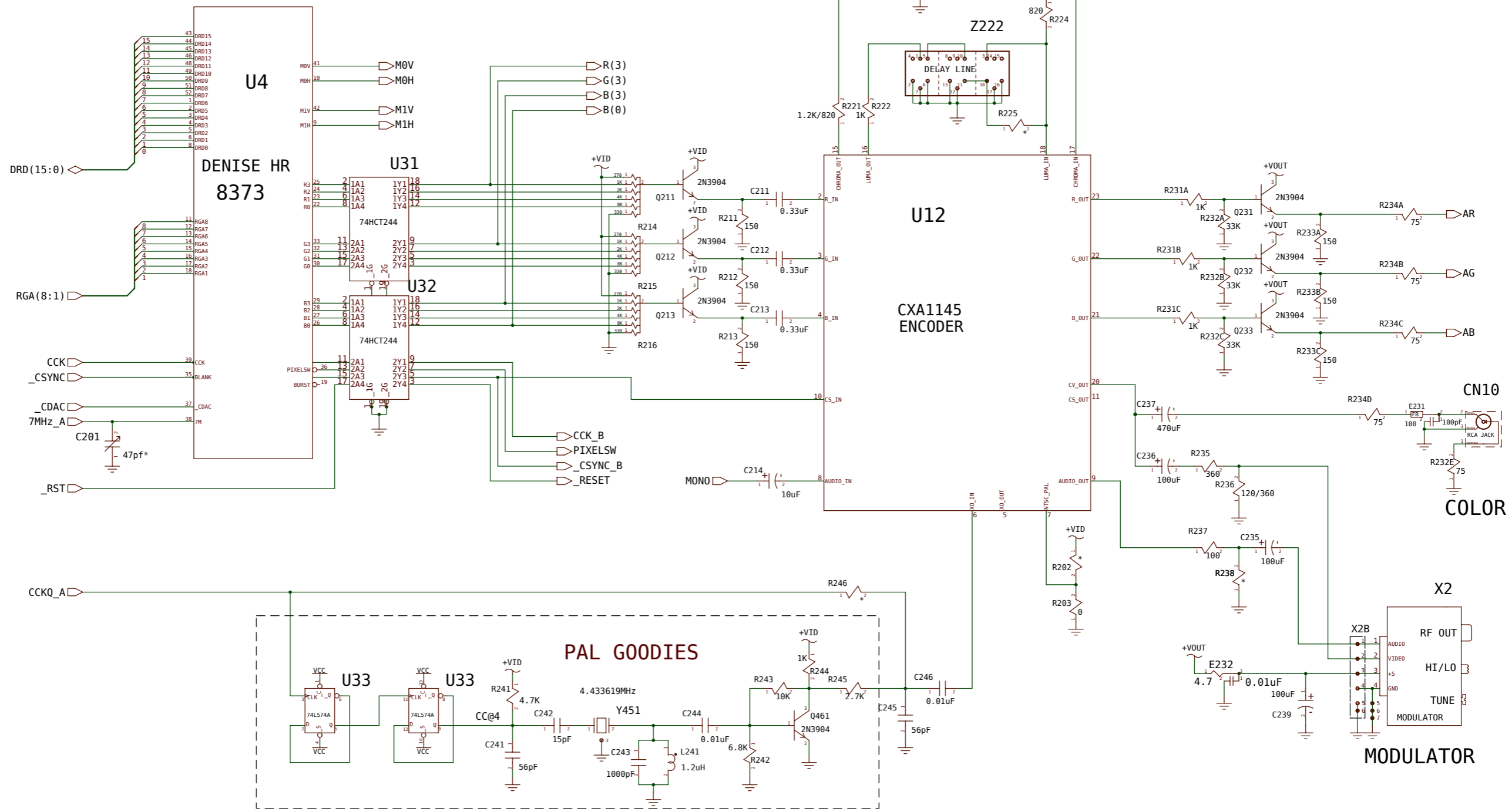
MEMORY AND... WELL, I USED TO REMEMBER

© 1992 Commodore Business Machines  
 Information contained herein is the unpublished,  
 confidential and trade secret property of  
 Commodore Business Machines, Inc. Any use,  
 reproduction or disclosure of this information  
 without the prior written permission of  
 Commodore is strictly prohibited.

C.A.D. Generated  
 No manual changes may be made to this document

DESIGN BY:	DATE:	Commodore
G. Robbins	05/27/91	
DRAG: GRS	05/27/91	Schematic A600 Rev 2
LAST: GRS	04/09/92	C/A600 Main Board
CHKD:		"June Bug"
APPR:		
USED ON:	NEXT ASSY:	SHEET
C/A600	364800	C 364811
		REV 2
		SCALE
		SHEET 3 OF 13

PATH: /projects/a300/june\_bug\_rev2\_sheet3



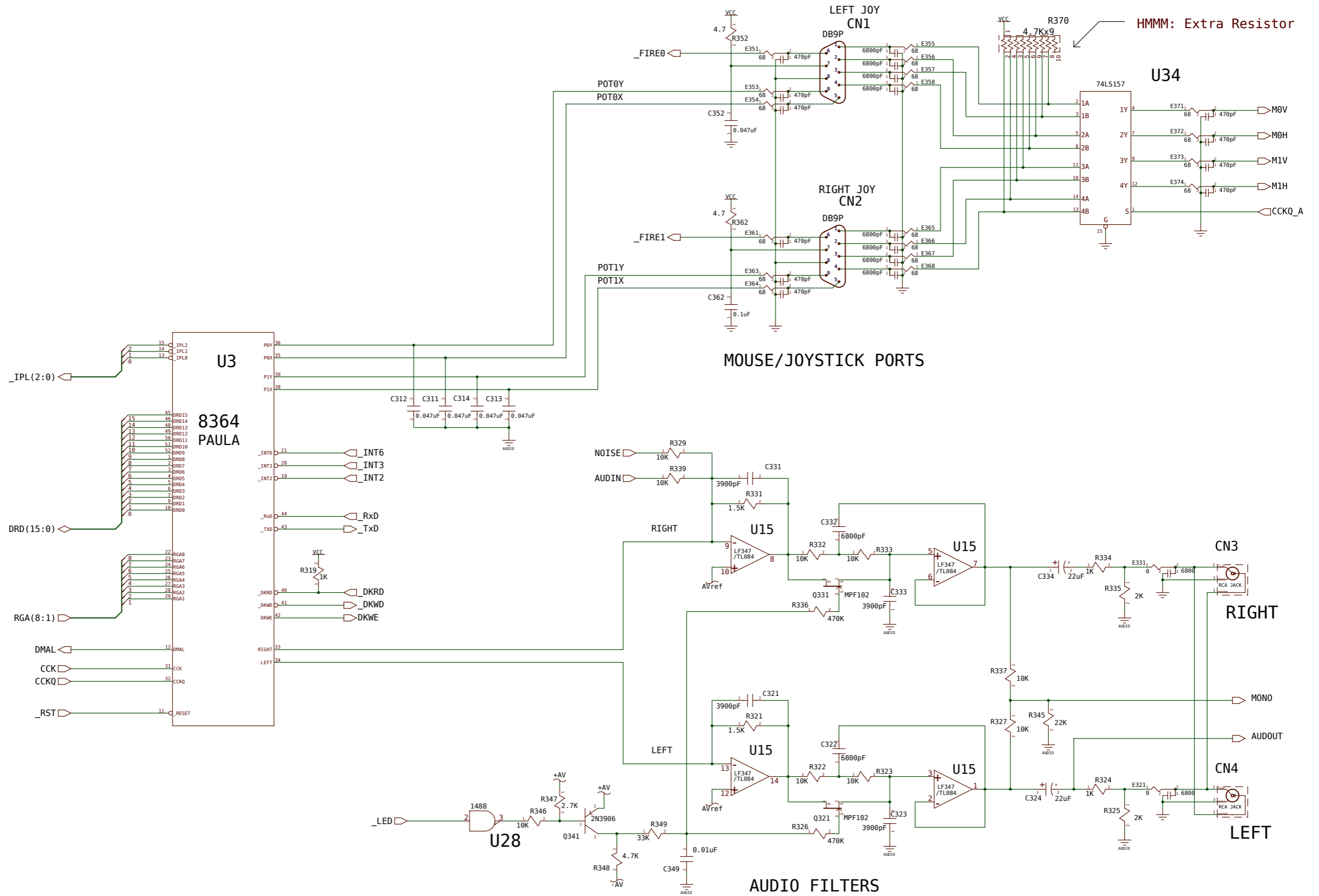
A600 Rev 2D PCB

© rebuild for www.amigawiki.org · for private use only

Note: Components designated as Exxx may be loaded with EMI filters, ferrite beads or resistors!

DESIGN IS PRETTY MUCH INTO VIDEO...

DESIGN BY: G. Robbins	DATE: 04/29/91	Commodore
DESIGN: GBR	04/27/91	
LAST: GBR	04/27/91	Schematic A600 Rev 2
CHG:		C/A600 Main Board
APPR:		June Bug
USED ON:	NEXT ASSY:	SCALE: 1:1
C/A600	364809	SHEET: 4 OF 13
C.A.D. Generated		REV: 2
No manual changes may be made to this document		FILE: /projects/a300/june_bug_rev2_sheet4



HMMM: Extra Resistor

MOUSE/JOYSTICK PORTS

AUDIO FILTERS

Note: LED off, Filters bypassed

A600 Rev 2D PCB

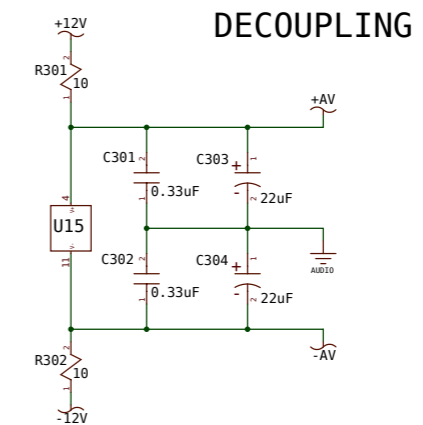
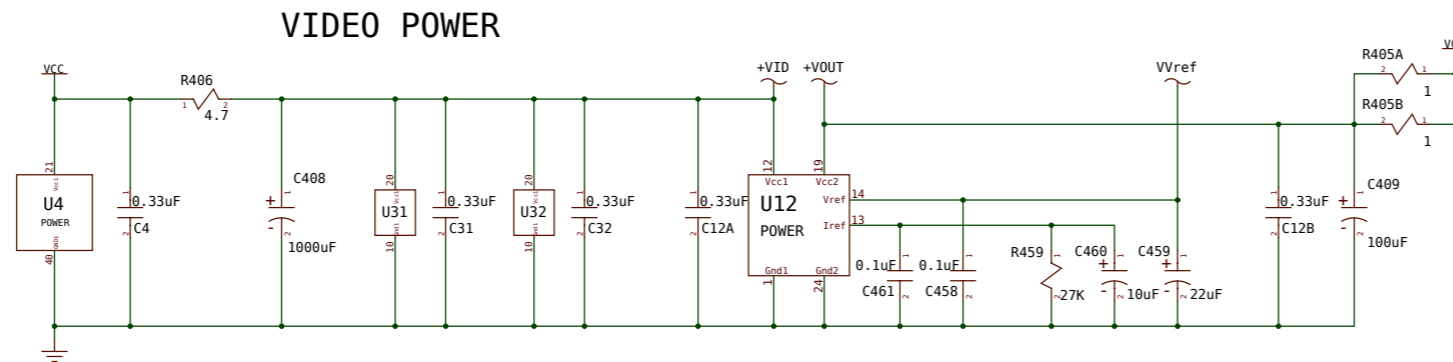
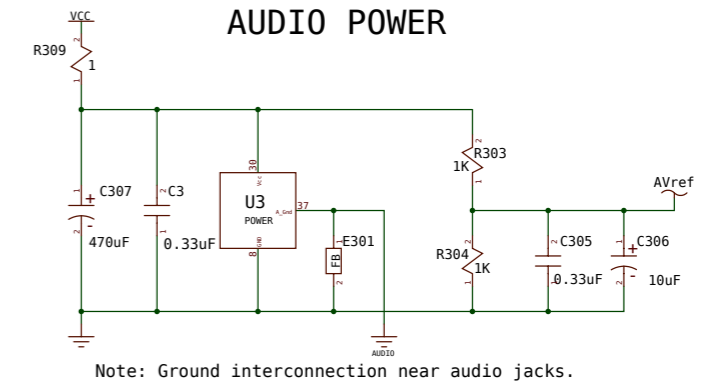
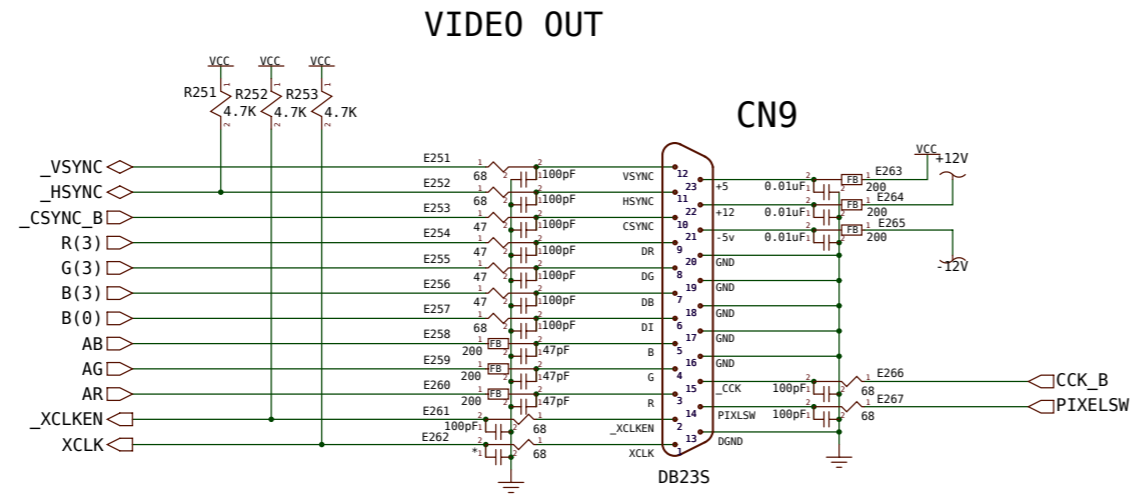
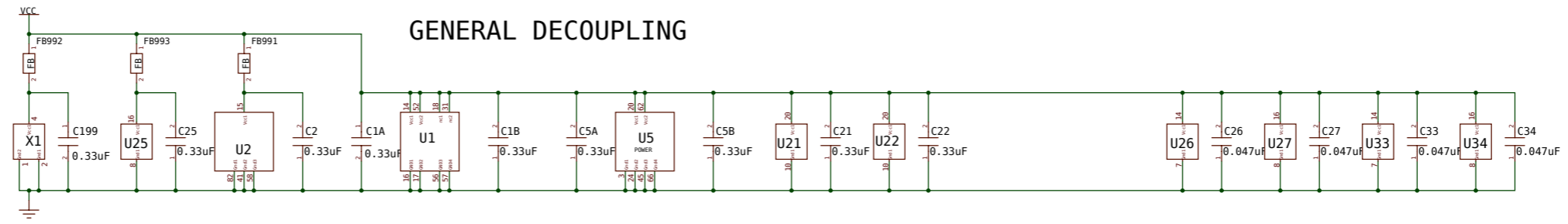
rebuild for www.amigawiki.org · for private use only

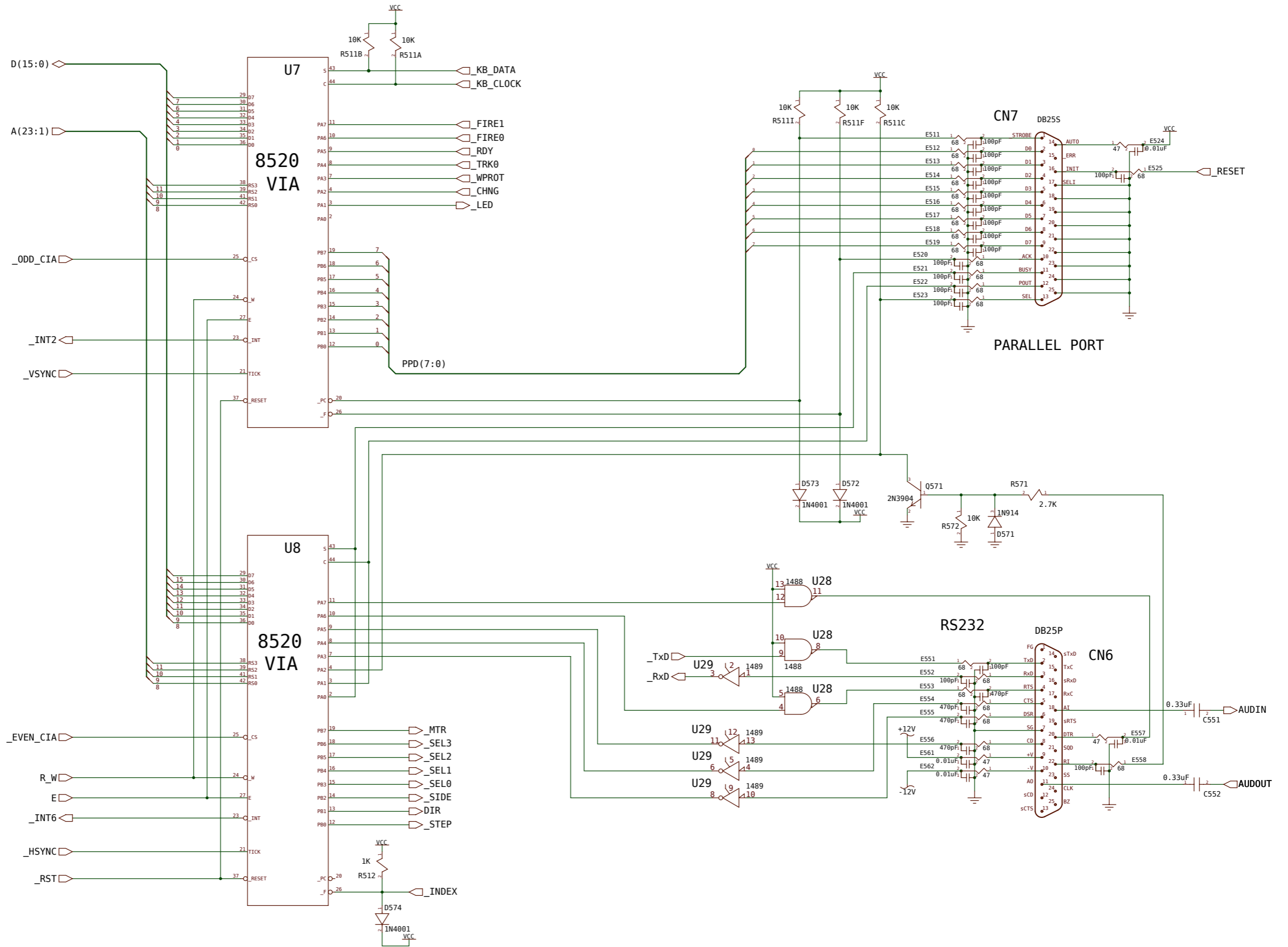
PAULA PREFERS THE TRADITIONAL MODES

DESIGN BY: G. Robbins	DATE: 04/29/91	Commodore
DESIGN: GBR	05/27/91	Schematic A600 Rev 2
LAST: GBR	05/27/91	C/A600 Main Board
APP: GBR		June Bug
USED ON: C/A600	NEXT ASSY: 364809	SCALE: 1:1
		SHEET 2 OF 13

C.A.D. Generated  
No manual changes may be made to this document

PATH: /projects/a300/june\_bug\_rev2\_sheets





A600 Rev 2D PCB

Doc 1.12 (01.05.2012)

© rebuild for www.amigawiki.org · for private use only

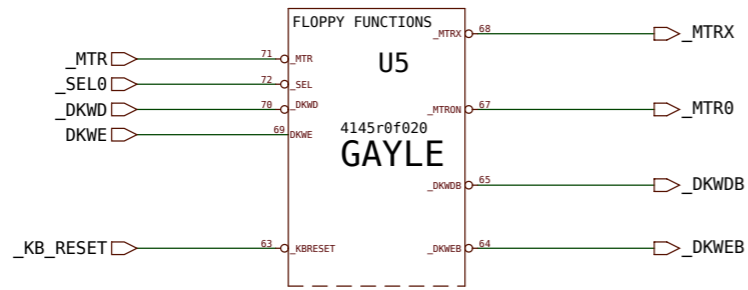
SERIAL AND PARALLEL PORTS		Commodore	
DESIGN BY:	G. Robbins	DATE:	08/27/91
DRW:	GRR	REV:	08/27/91
LAST. GRP:	04/26/92	Schematic A600 Rev 2	
CHKD:		C/A600 Main Board	
APPR:		"June Bug"	
USED ON:	C/A600	NEXT ASSY:	364809
SCALE:		STEP:	C 364811
		REV:	2
		SHEET:	7 OF 13

C.A.D. Generated  
No manual changes may be made to this document

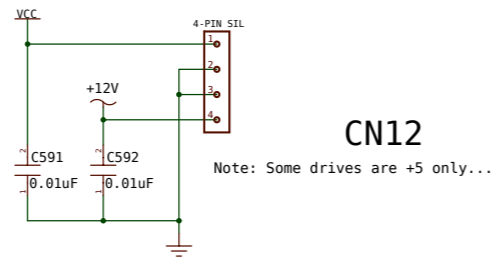
PATH: /projects/a300/junbug\_rev2\_sheet7



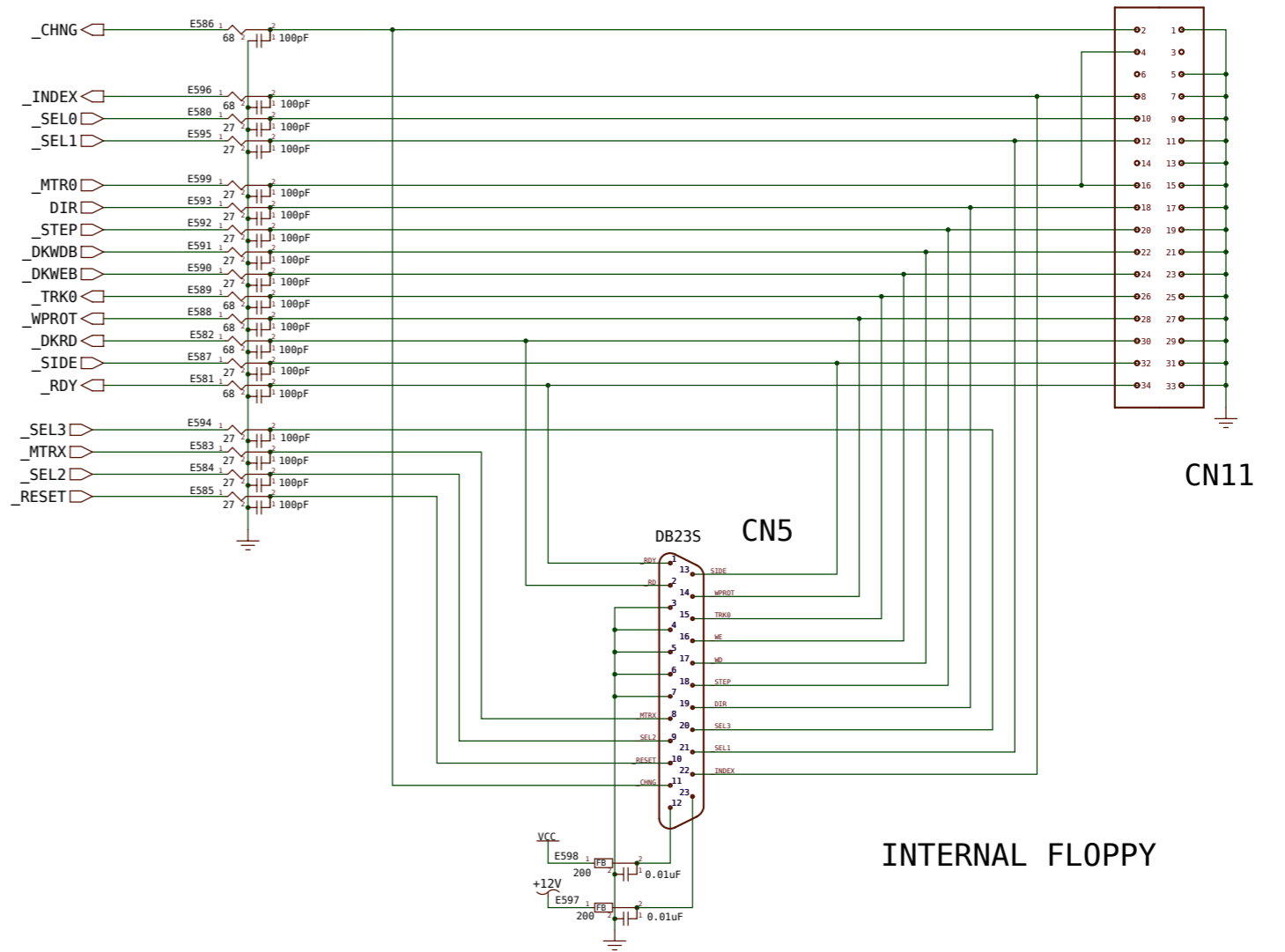
### FLOPPY LOGIC



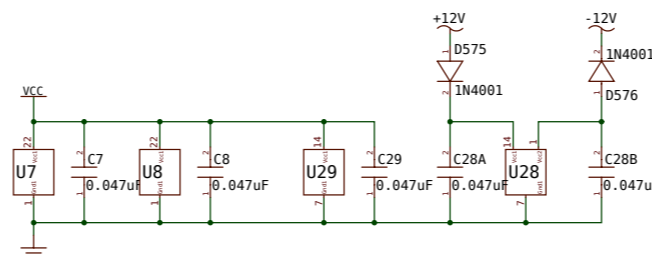
### FLOPPY POWER

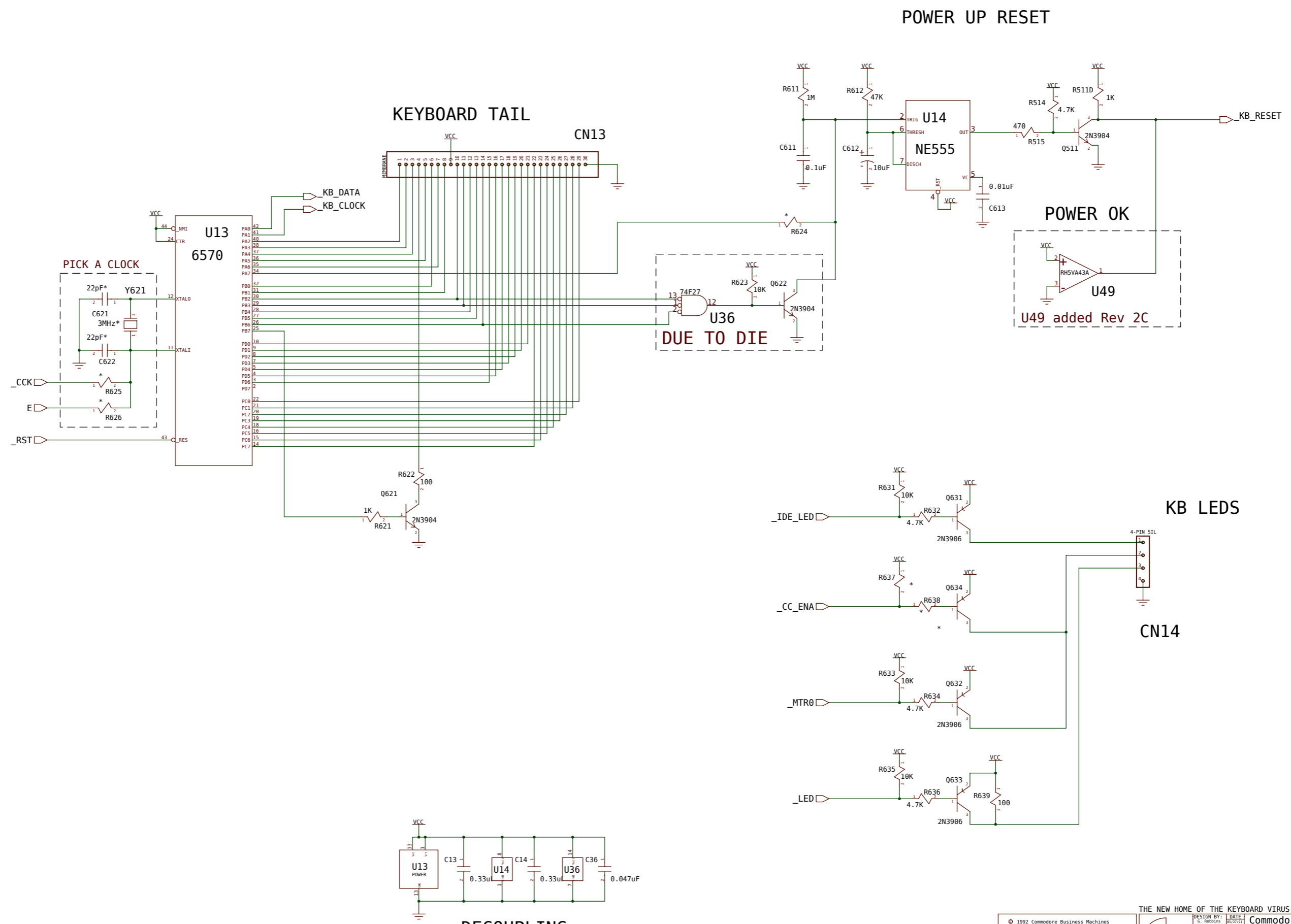


### EXTERNAL FLOPPY



### INTERNAL FLOPPY



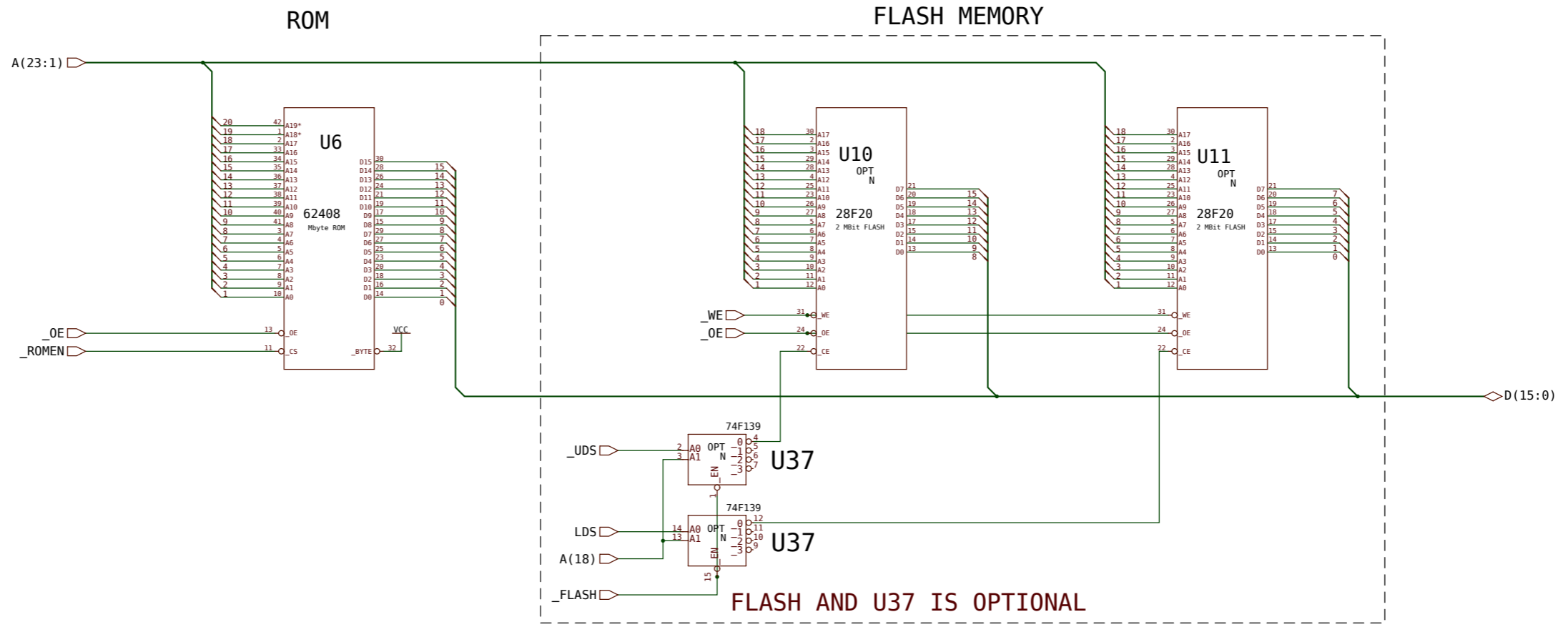


A600 Rev 2D PCB

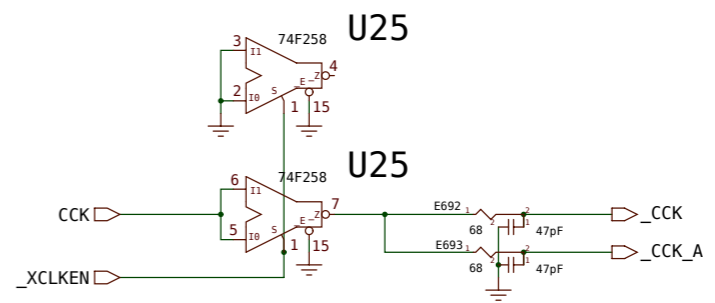
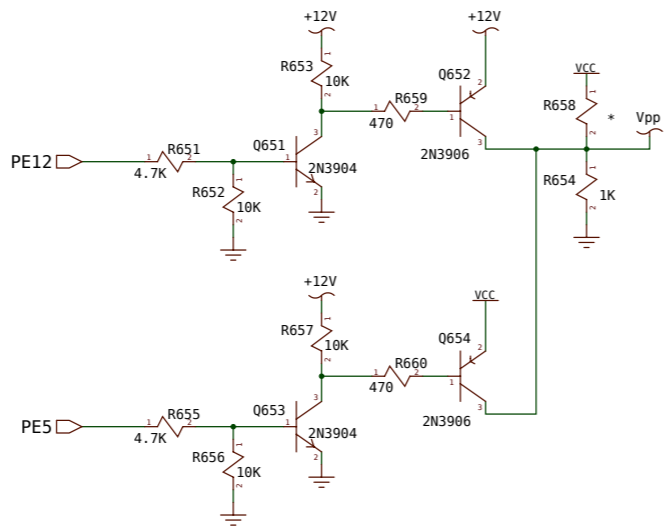
THE NEW HOME OF THE KEYBOARD VIRUS

DESIGN BY: G. Robbins	DATE: 05/27/91	<b>Commodore</b> Schematic A600 Rev 2 C/A600 Main Board June Bug
DESIGN: GDR	05/27/91	
LAST. GDR	04/26/92	
APP: GDR		
USED ON: C/A600	NEXT ASSY: 364809	SHEET: <b>364811</b> REV: <b>2</b> SCALE: SHEET 9 OF 13

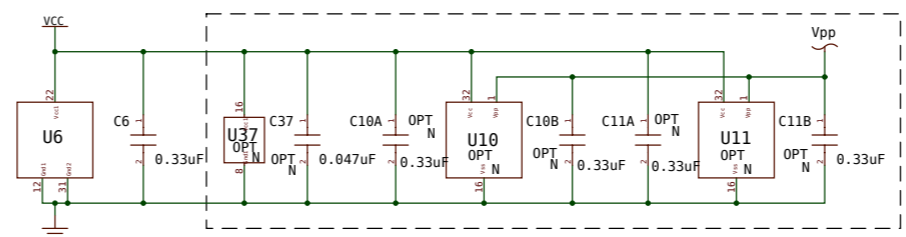
C.A.D. Generated  
No manual changes may be made to this document  
PATH: /project/a300/june\_bug\_rev2\_sheet9



**PROGRAMMING VOLTAGE**



**FUNNY INVERTERS**



**DECOUPLING**

A600 Rev 2D PCB

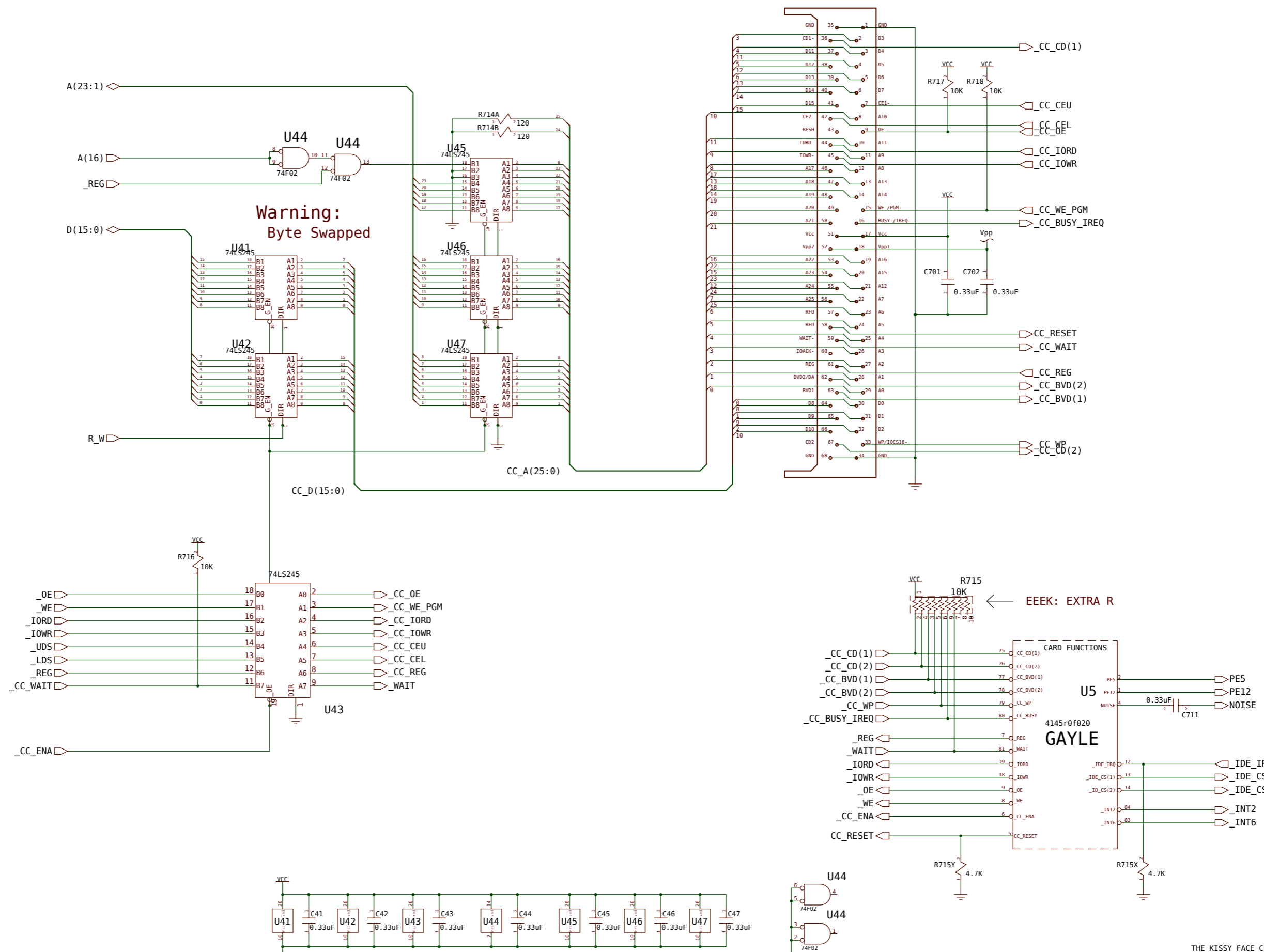
Rev 1.01 (05/05/2011)

© rebuild for www.amigawiki.org · for private use only

© 1992 Commodore Business Machines Information contained herein is the unpublished, confidential and trade secret property of Commodore Business Machines, Inc. Any use, reproduction or disclosure of this information without the prior written permission of Commodore is strictly prohibited.		Commodore	
DESIGN BY: G. Robbins	DATE: 05/22/91	Schematic A600 Rev 2 C/A600 Main Board "June Bug"	
DESIGN NO: C/A600	NEXT ASSY: 364809	SCALE: C	SHEET: 364811
C.A.D. Generated		REV: 2	
No manual changes may be made to this document		SHEET 10 OF 13	

MEMORY CARD

CN15



DECOUPLING

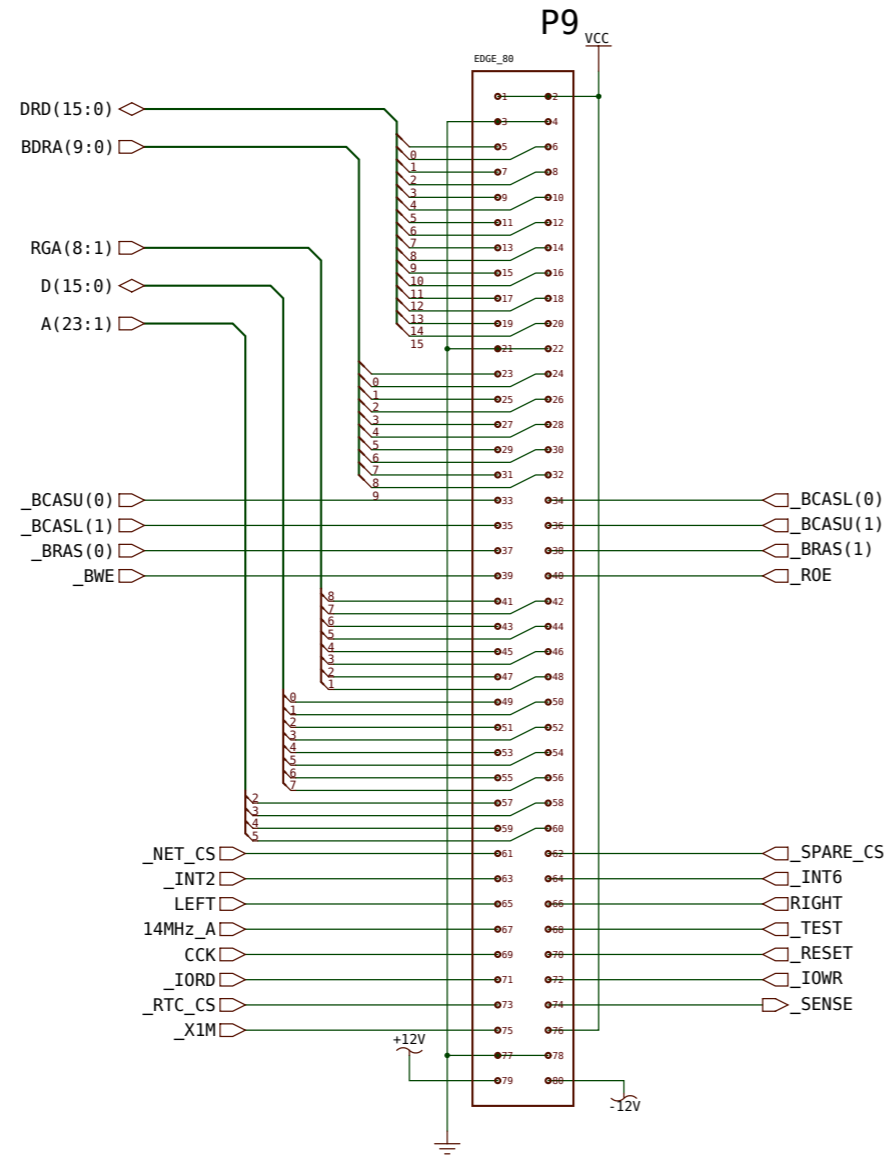
SPARE

A600 Rev 2D PCB

THE KISSY FACE CREDIT CARD MONSTER

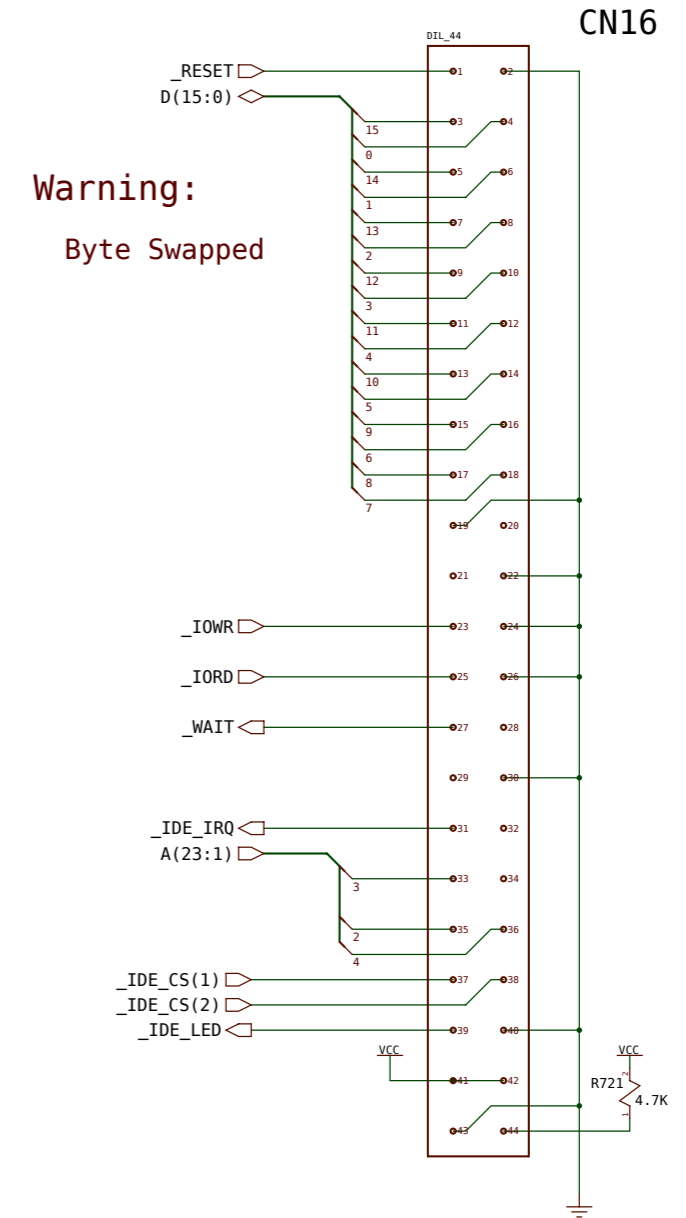
DESIGN BY: G. Robbins	DATE: 05/22/91	<p>Commodore</p> <p>Schematic A600 Rev 2 C/A600 Main Board "June Bug"</p> <p>U5/D0 OR NEXT ASSY: C/A600 364809</p> <p>C.A.D. Generated</p> <p>No manual changes may be made to this document</p>
DESIGN: GRR	05/22/91	
LAST. GRR	04/20/92	
APP: GRR		
U5/D0 OR NEXT ASSY: C/A600 364809	SCALE: 11 OF 13	<p>DATE: /rprojct/a300/june_bug_rev2_sheet11</p>

### MEMORY EXPANSION

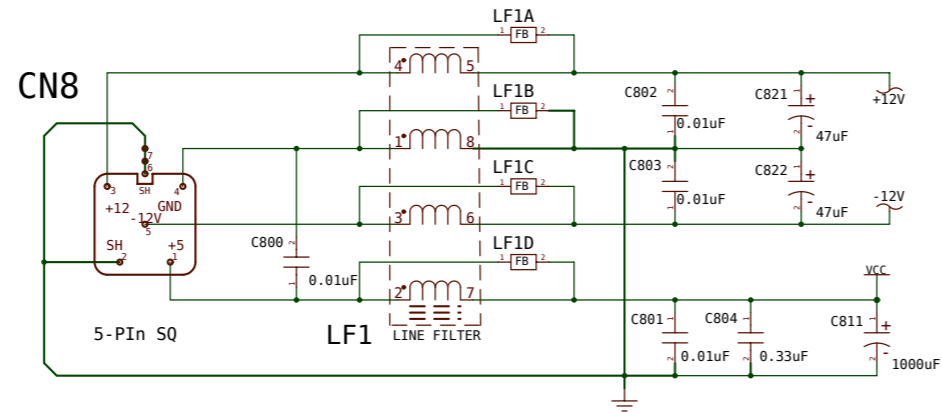


Note: 14MHz or Vbb!

### IDE DRIVE

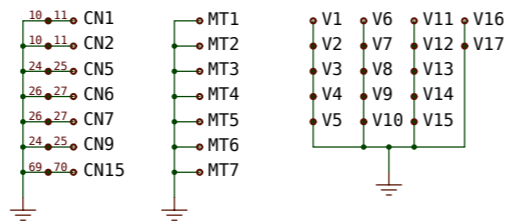


### POWER INPUT

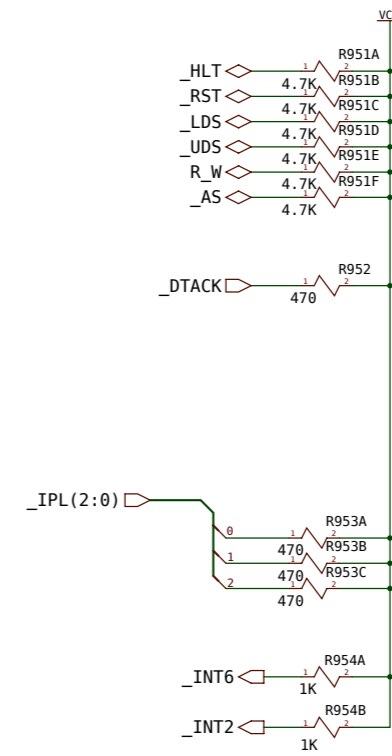


NOTE: HEAVY LINES INDICATE A SINGLE POINT CONNECTION  
LF1/LF1A... DUAL FOOTPRINT

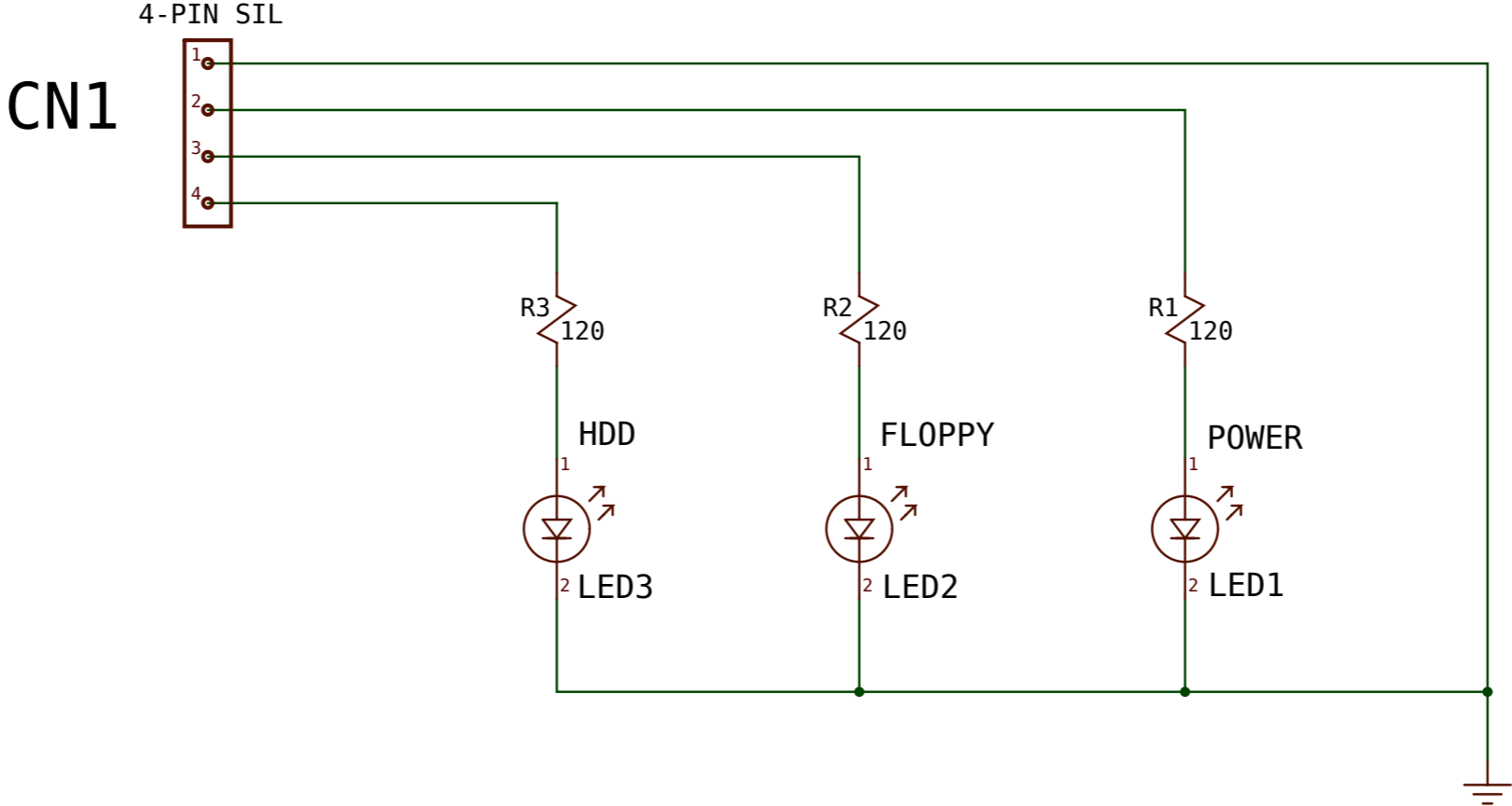
### GROUNDING HOLES, &c.



### "BUS" TERMINATION



REVISIONS				
REV	DESCRIPTION	DATE	APRVL	MANAGER
A	PILOT PRODUCTION RELEASE			




# A300 PCB ASSEMBLY REV1

SHINE ON, SHINE ON

© 1991 Commodore Business Machines  
 Information contained herein is the unpublished,  
 confidential and trade secret property of  
 Commodore Business Machines, Inc. Any use,  
 reproduction or disclosure of this information  
 without the prior written permission of  
 Commodore is strictly prohibited.

**C.A.D. Generated**  
 No manual changes may be made to this document

	DESIGN BY:	DATE	<b>Commodore</b> SCHEMATIC A300 LED ASSY
	B. FENIMORE	11/19/91	
	DRAW: BAF	11/19/91	
	LAST: BAF	11/19/91	
CHKD:			
APPR:			
USED ON	NEXT ASSY	SIZE	REV
A300	315992	A 364075	A
SCALE		SHEET 1 OF 1	

PATH: /user/fenimore/A300/led assy sheet1

Rev. 1.37 (02.09.2012)

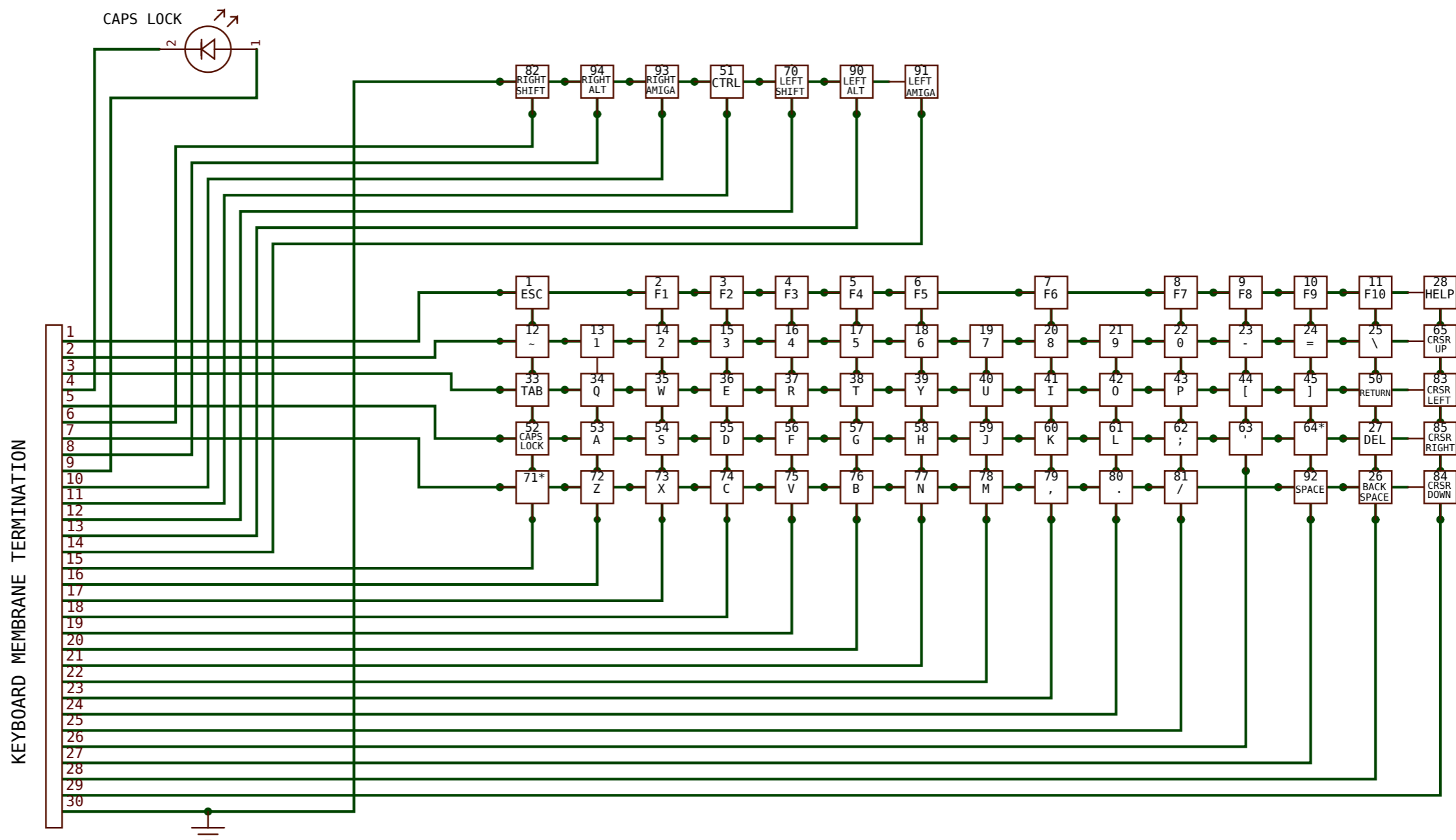


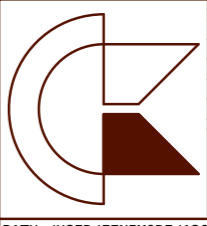
FIGURE 1

- NOTES: 1)NUMBER AT TOP CENTER OF EACH BLOCK CORRESPONDS TO KEY NUMBER IN ASSEMBLY DRAWING.  
 2)KEY NUMBERS 64 & 71 ARE ACTIVE ON EUROPEAN KEYBOARDS ONLY.  
 3)PIN 30 OF TERMINATION CONNECTED TO GROUND FOR EMI/RFI EMISSION REQUIREMENTS.

US VERSION (-01) SHOWN

© 1989 COMMODORE BUSINESS MACHINES  
 Information contained herein is the unpublished, confidential and trade secret property of Commodore Business Machines, Inc. Any use, reproduction or disclosure of this information without the prior written permission of Commodore is strictly prohibited.

C.A.D. Generated  
 No manual changes may be made to this document

	DRAWN BY: B. FENIMORE	DATE 3/21/91	<b>Commodore</b>  <b>A300</b> KEYBOARD MEMBRANE MATRIX		
	CHKD: ENGR:GRR/BAF				
	APPR:		SIZE <b>A</b>	<b>363748</b>	REV <b>1</b>
	USED ON	NEXT ASSY	SCALE	SHEET 1 OF 1	

PATH: /USER/FENIMORE/A300/A300KEYMATRIX

Rev. 1.37 (02.09.2012)