

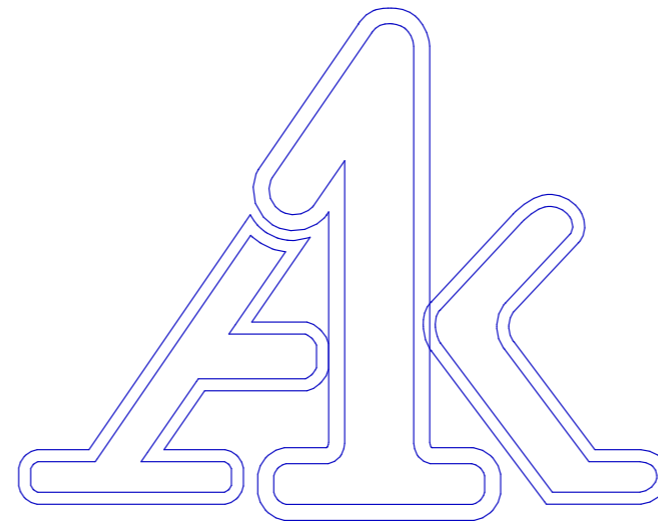
1	2	3	4	5	6	7	8
A							
B							
C							
D							
E							
F							

01_Intro	02_CPU SECTION	03_FE2010 SECTION	04_512k MAIN MEM	05_FD CONTROLLER
<input type="text"/>	<input type="text"/>	<input type="text"/>	<input type="text"/>	<input type="text"/>
Date: A2088XT_RA_1.kicad_sch	Date: A2088XT_RA_2.kicad_sch	Date: A2088XT_RA_3.kicad_sch	Date: A2088XT_RA_4.kicad_sch	Date: A2088XT_RA_5.kicad_sch

06_128KB DUAL PORT RAM	07_ADDRESS BUS TRANSLATOR	08_DATA BUS TRANSLATOR	09_CONNECTORS	10_BLOCK CAPS
<input type="text"/>	<input type="text"/>	<input type="text"/>	<input type="text"/>	<input type="text"/>
Date: A2088XT_RA_6.kicad_sch	Date: A2088XT_RA_7.kicad_sch	Date: A2088XT_RA_8.kicad_sch	Date: A2088XT_RA_9.kicad_sch	Date: A2088XT_RA_10.kicad_sch

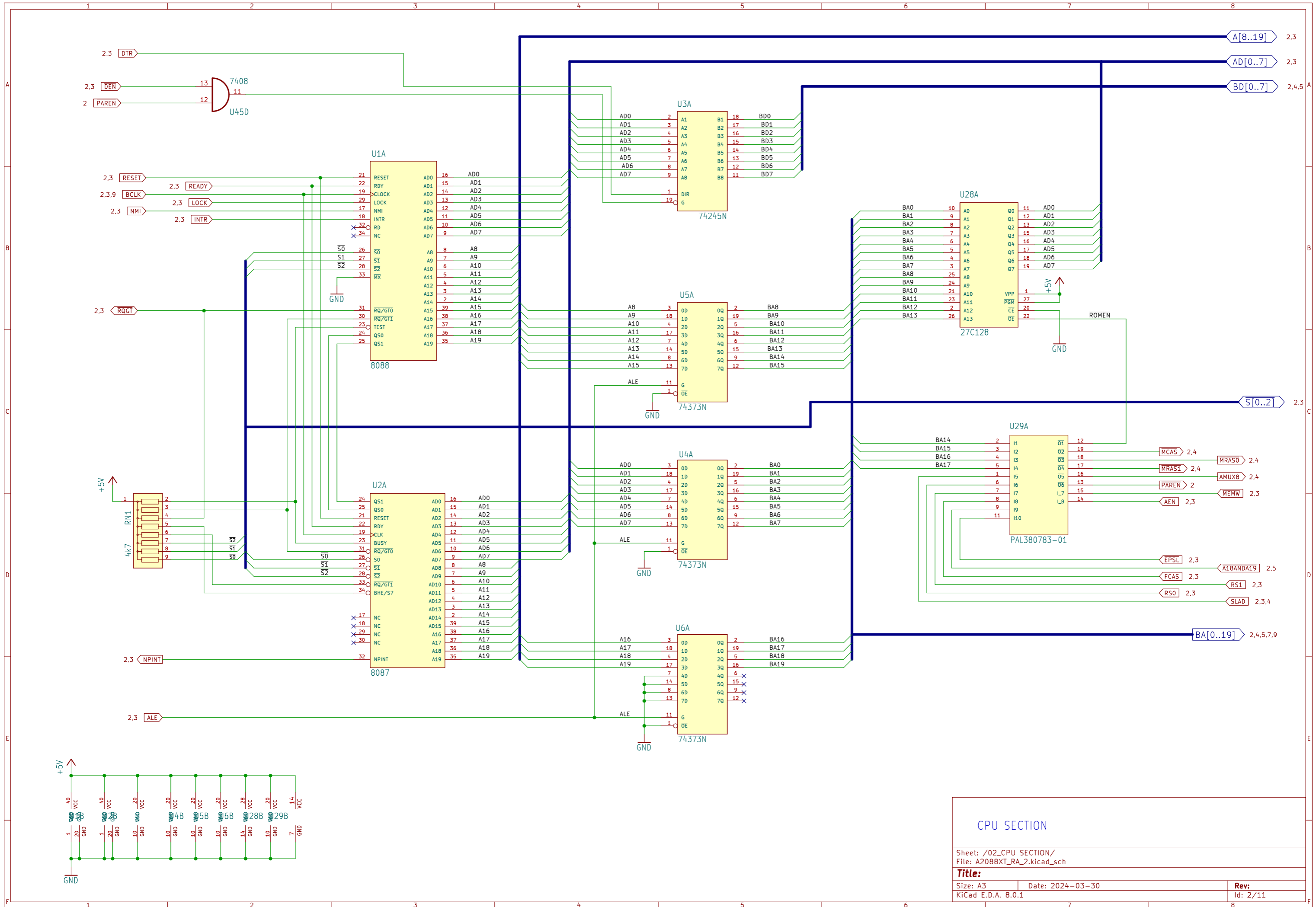
Sheet: /		
File: A2088XT_RA.kicad_sch		
Title:		
Size: A3	Date: 2024-03-30	Rev:
KiCad E.D.A. 8.0.1		Id: 1/11

SCHEMATIC A2088XT
REV. A



REDRAWN GONZO/A1k

Sheet: /01_Intro/ File: A2088XT_RA_1.kicad_sch		
Title:		
Size: A3	Date: 2024-03-30	Rev:
KiCad E.D.A. 8.0.1		Id: 1/11

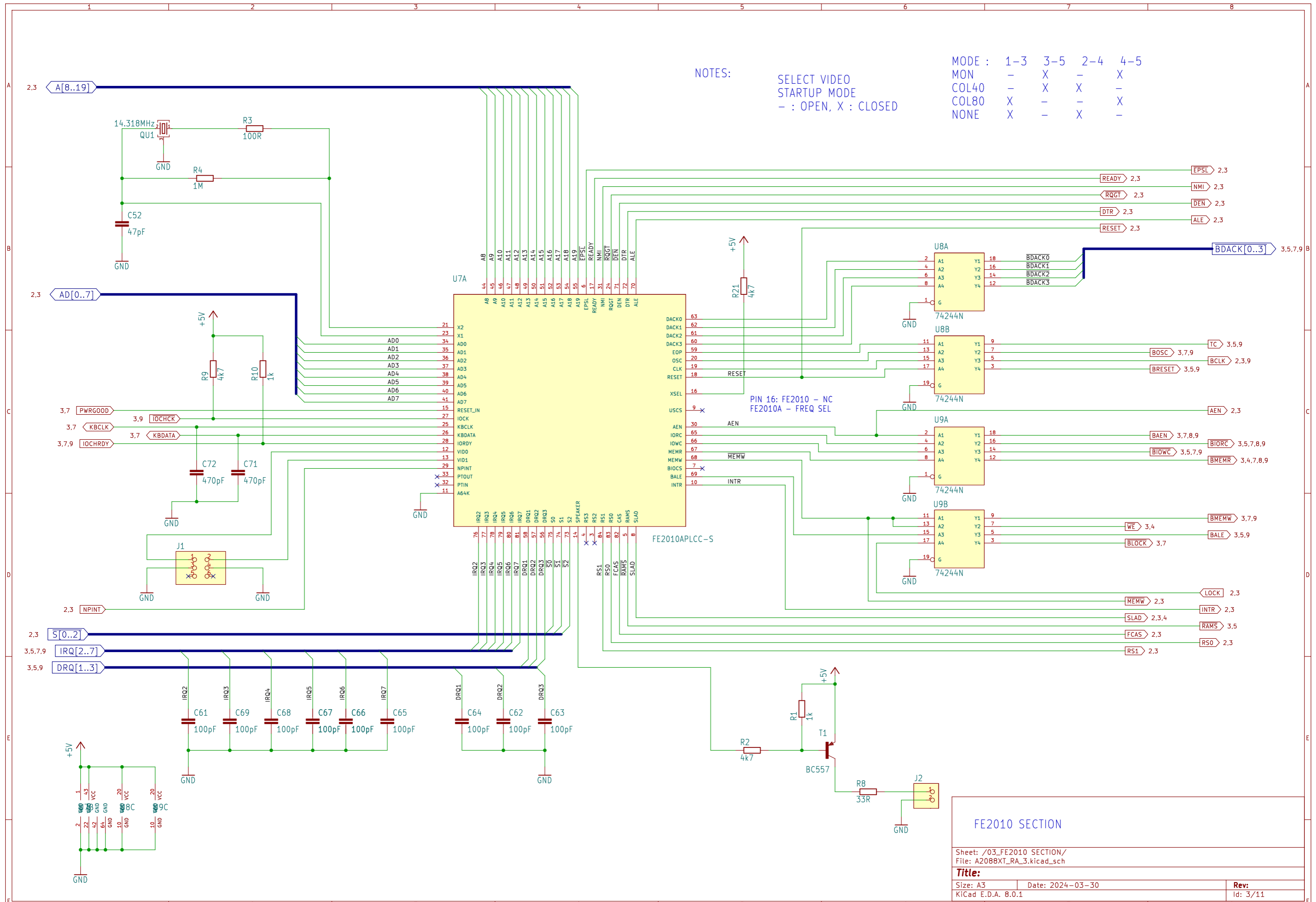


CPU SECTION		
Sheet: /02_CPU SECTION/ File: A2088XT_RA_2.kicad_sch		
Title:		
Size: A3	Date: 2024-03-30	Rev:
KiCad E.D.A. 8.0.1		Id: 2/11

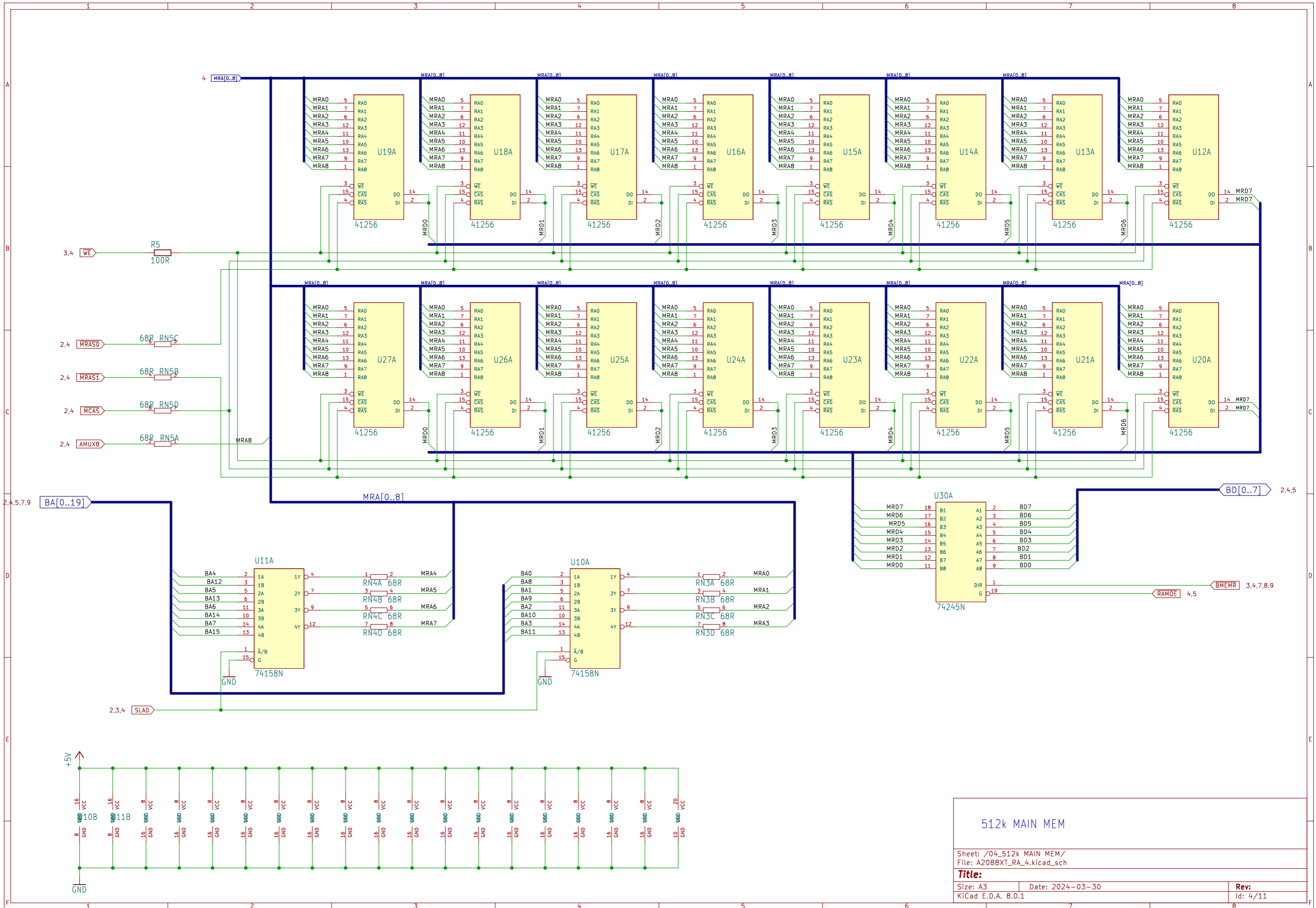
NOTES:

SELECT VIDEO
STARTUP MODE
- : OPEN, X : CLOSED

MODE :	1-3	3-5	2-4	4-5
MON	-	X	-	X
COL40	-	X	X	-
COL80	X	-	-	X
NONE	X	-	X	-



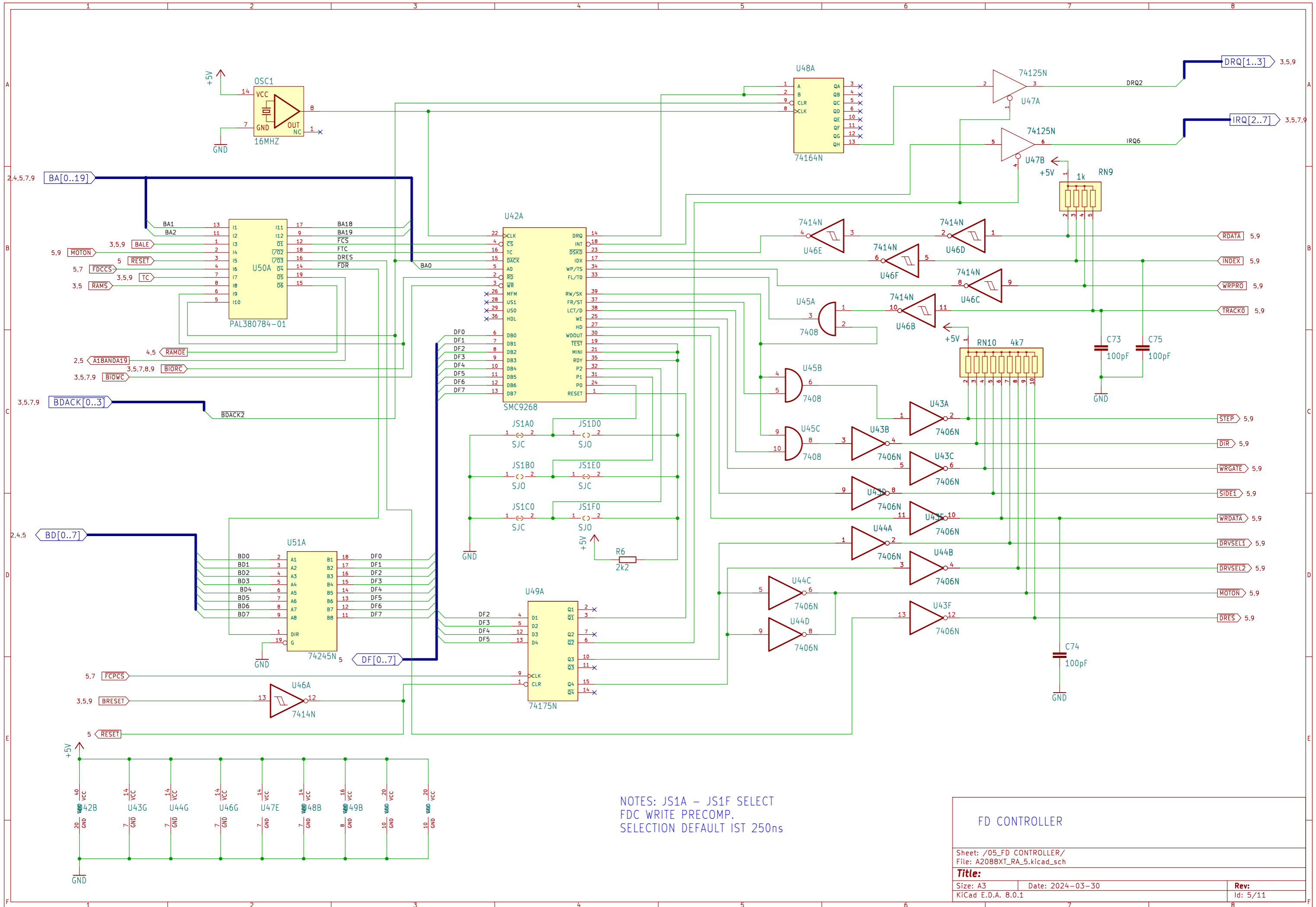
FE2010 SECTION



512k MAIN MEM

Sheet: /04_512k MAIN MEM/
File: A2088XT_RA_4.kicad_sch

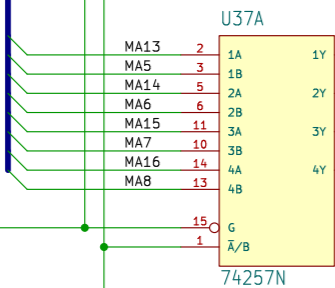
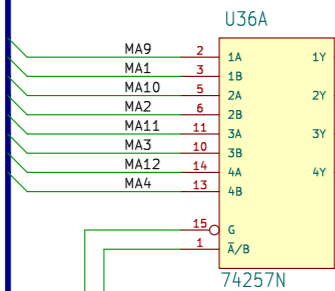
Title:		
Size: A3	Date: 2024-03-30	Rev:
KiCad E.D.A. 8.0.1		Id: 4/11



NOTES: JS1A – JS1F SELECT
 FDC WRITE PRECOMP.
 SELECTION DEFAULT IST 250ns

FD CONTROLLER		
Sheet: /05_FD CONTROLLER/		
File: A2088XT_RA_5.kicad_sch		
Title:		
Size: A3	Date: 2024-03-30	Rev:
KiCad E.D.A. 8.0.1		Id: 5/11

6.7,8,9 MA[1..23]



6.7,8 A68KEN

6.7 RA[0..7]

6.7 RRAS0

6.7 RRAS1

6.7 RWE

6.7 MUXSEL

7 8 RN6D 68R

5 6 RN6C 68R

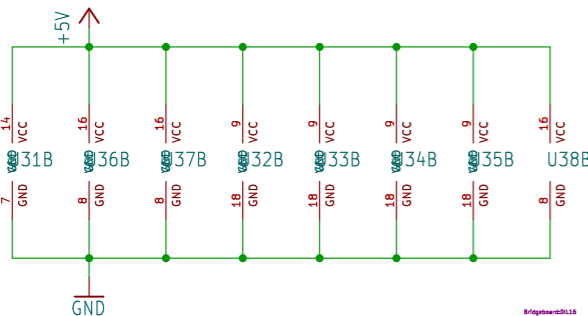
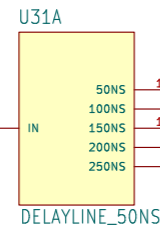
1 2 RN6A 68R

4 3 68R RN6B

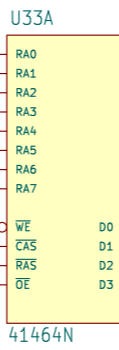
6 DRA[0..7]

C55 100pF

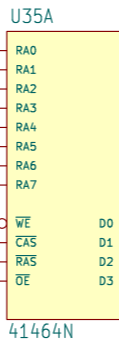
GND



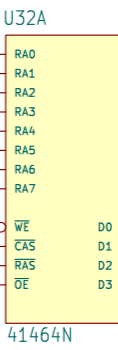
8/16/2024/09/13



GND



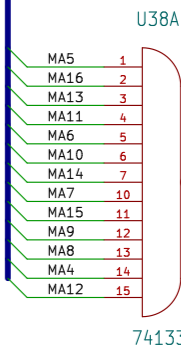
GND



GND



GND



MREG 6.8

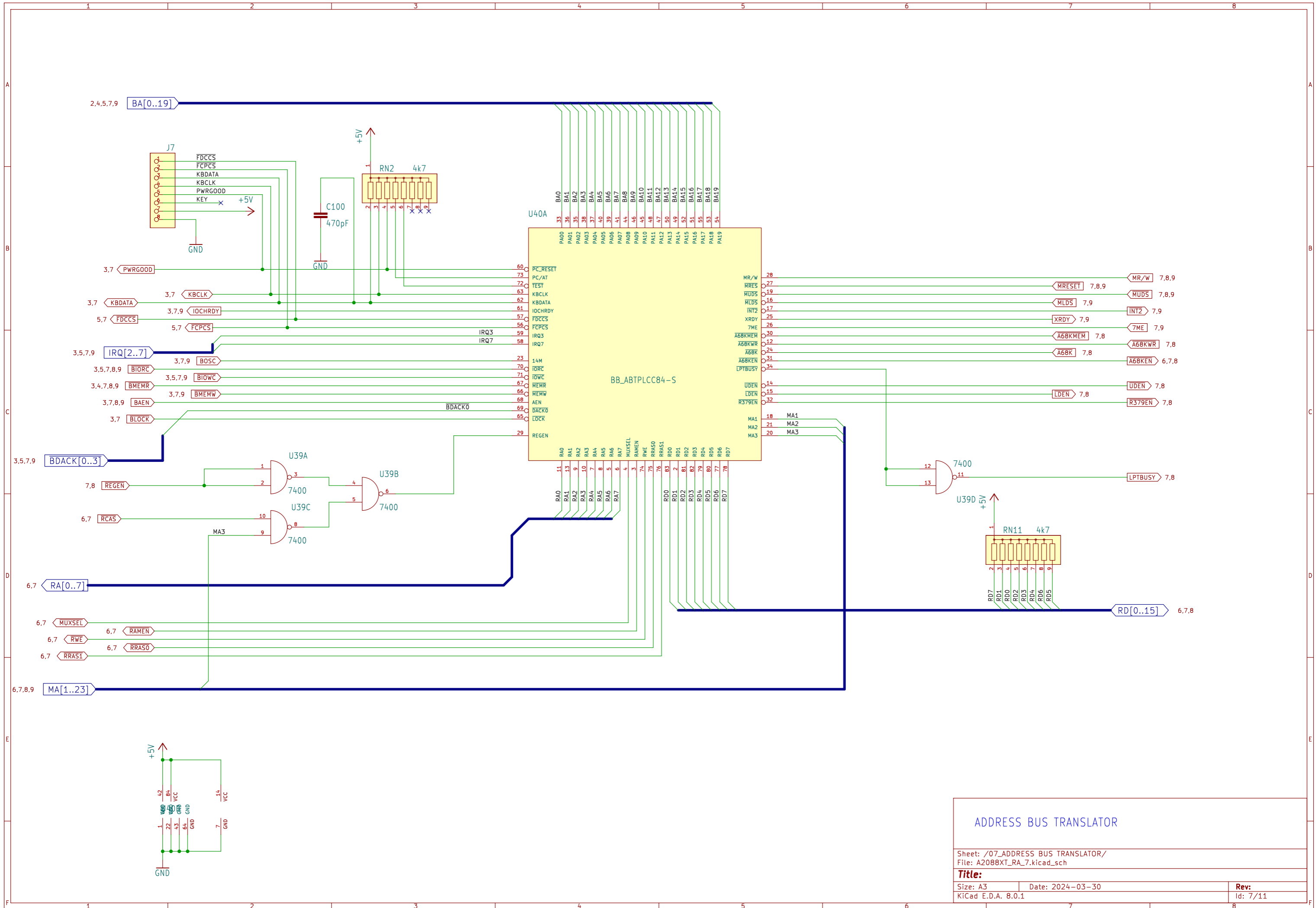
6.7,8 RD[0..15]

128KB DUAL PORT RAM

Sheet: /06_128KB DUAL PORT RAM/
File: A2088XT_RA_6.kicad_sch

Title:

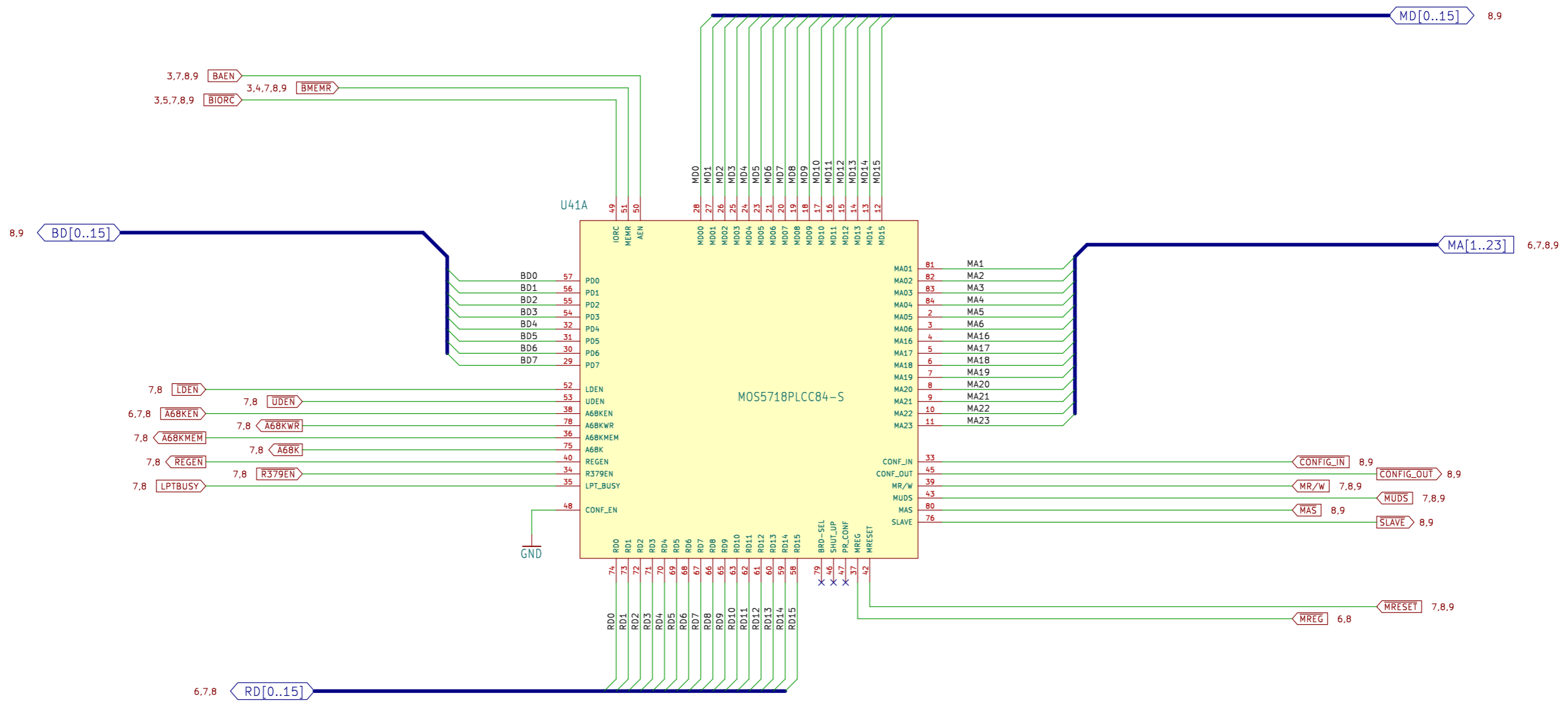
Size: A3	Date: 2024-03-30	Rev:
KiCad E.D.A. 8.0.1		Id: 6/11



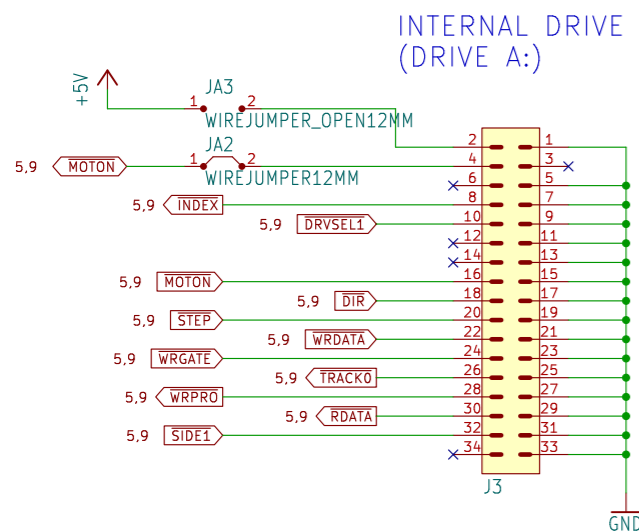
ADDRESS BUS TRANSLATOR

Sheet: /07_ADDRESS BUS TRANSLATOR/
 File: A2088XT_RA_7.kicad_sch

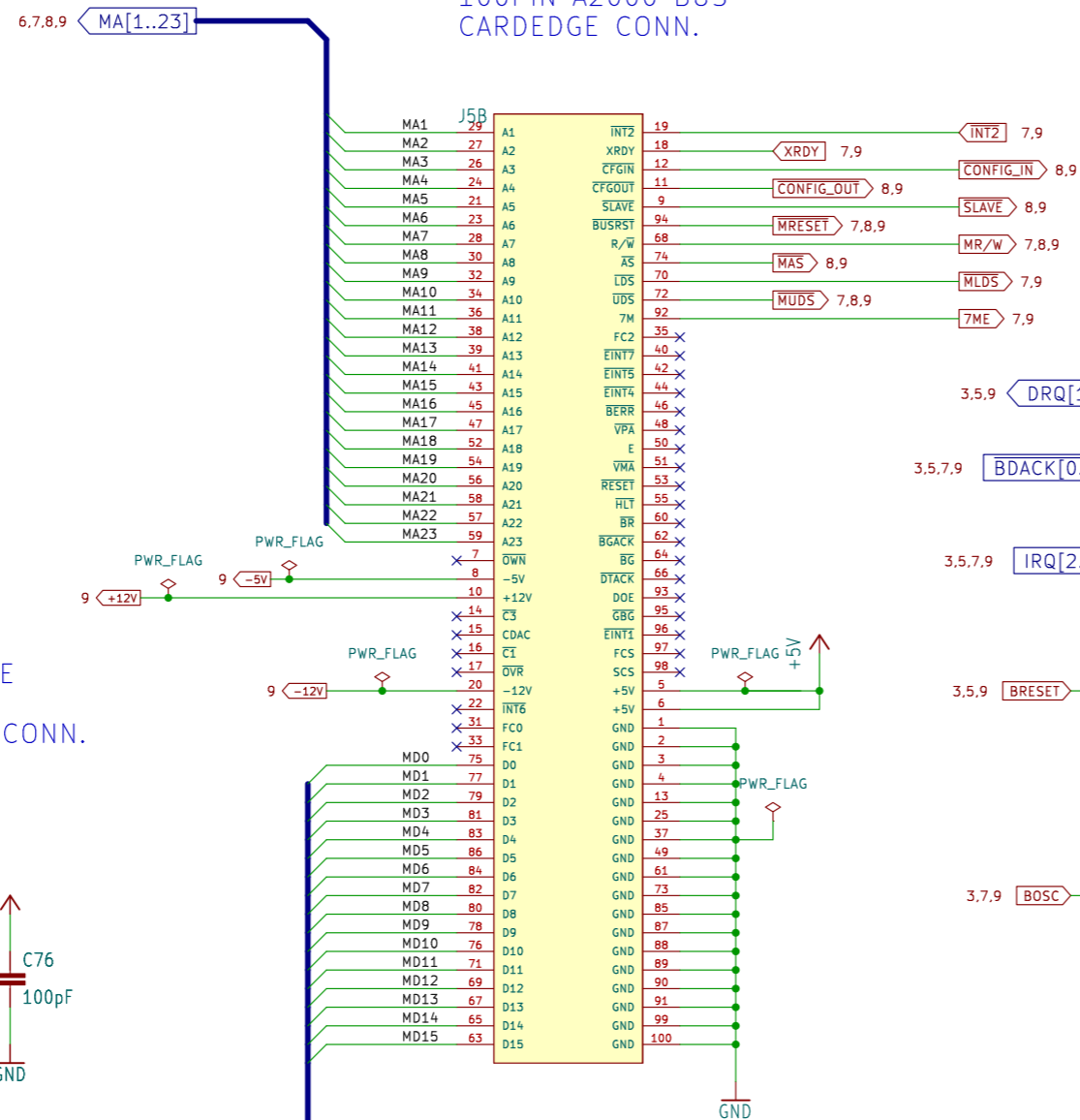
Title:		Rev:
Size: A3	Date: 2024-03-30	
KiCad E.D.A. 8.0.1		Id: 7/11



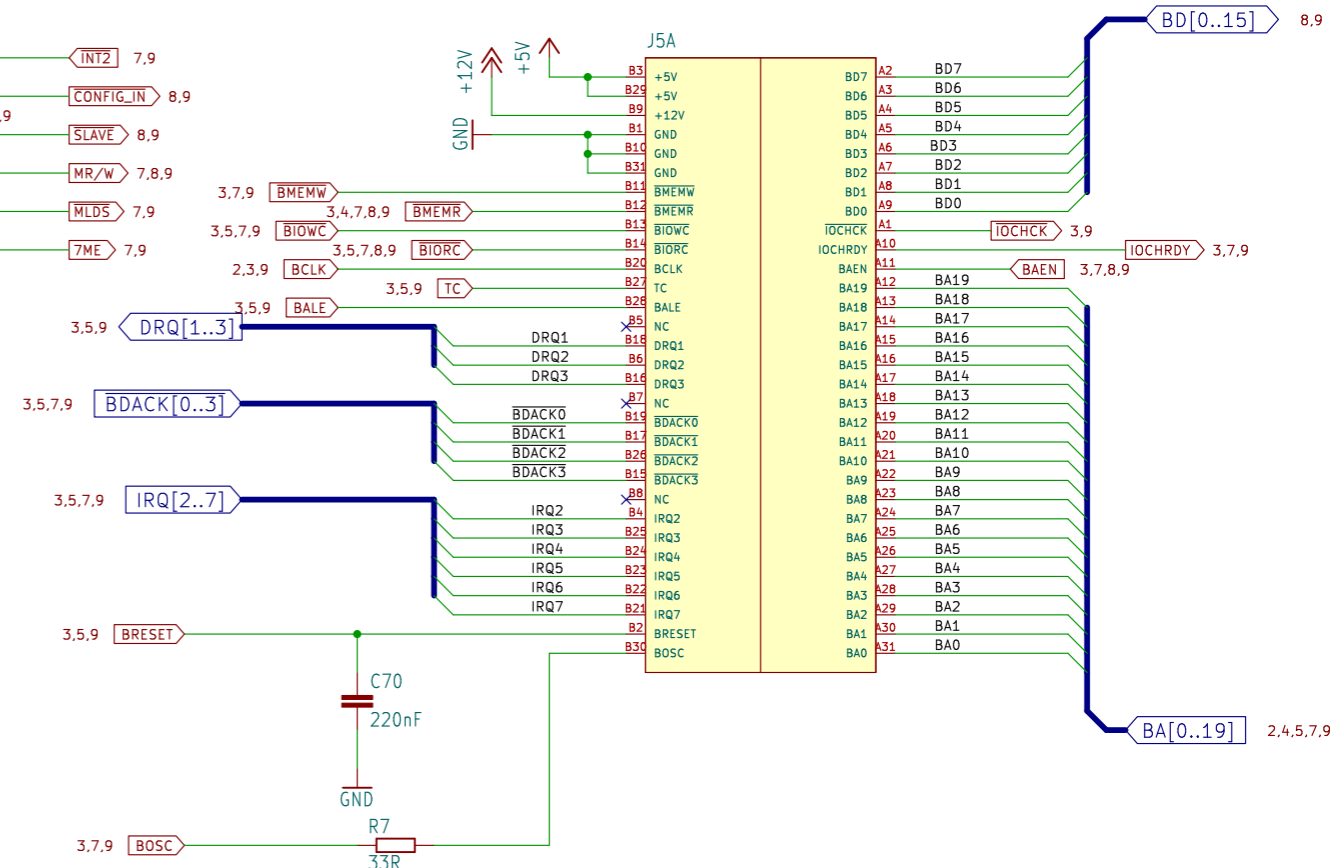
DATA BUS TRANSLATOR		
Sheet: /08_DATA BUS TRANSLATOR/ File: A2088XT_RA_8.kicad_sch		
Title:		
Size: A3	Date: 2024-03-30	Rev:
KiCad E.D.A. 8.0.1		Id: 8/11



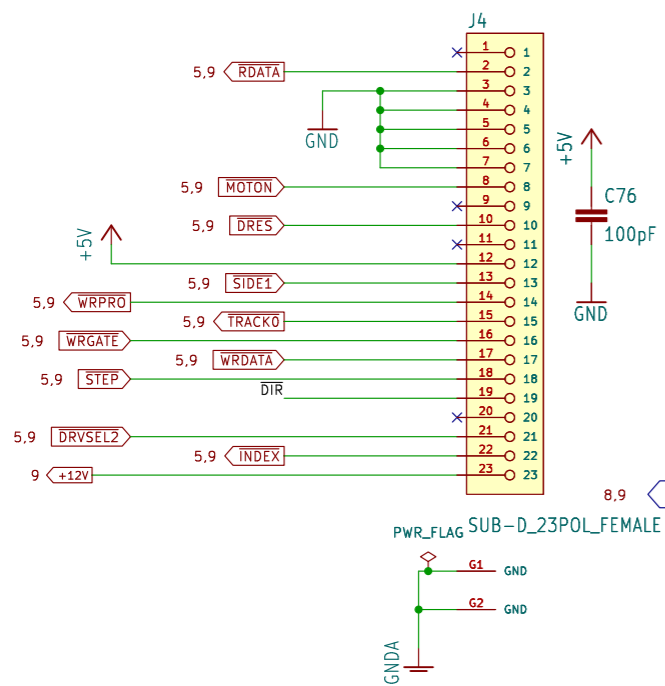
100PIN A2000 BUS CARDEDGE CONN.



2x31 PC BUS CARDEDGE CONN.



EXTERNAL DRIVE (DRIVE B:) 23 PIN SUB D CONN.



CONNECTORS

Sheet: /09_CONNECTORS/
File: A2088XT_RA_9.kicad_sch

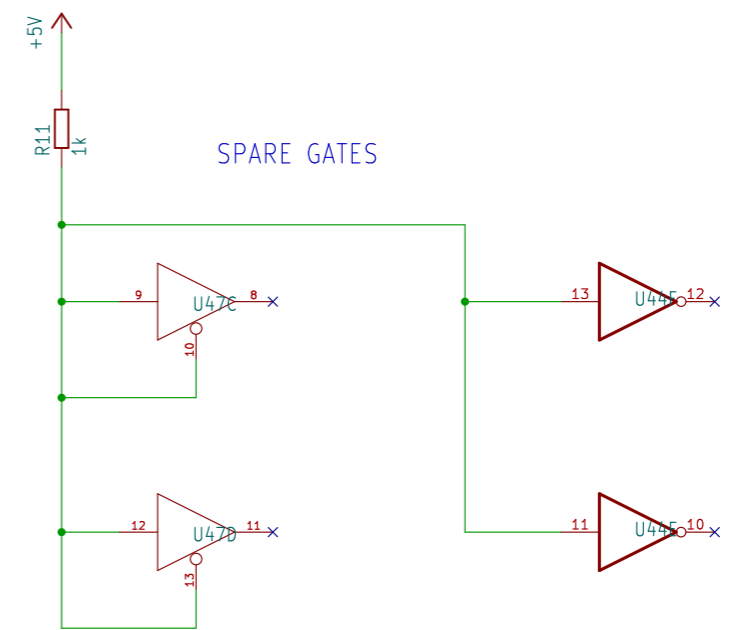
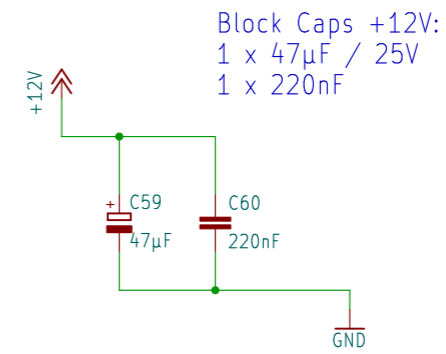
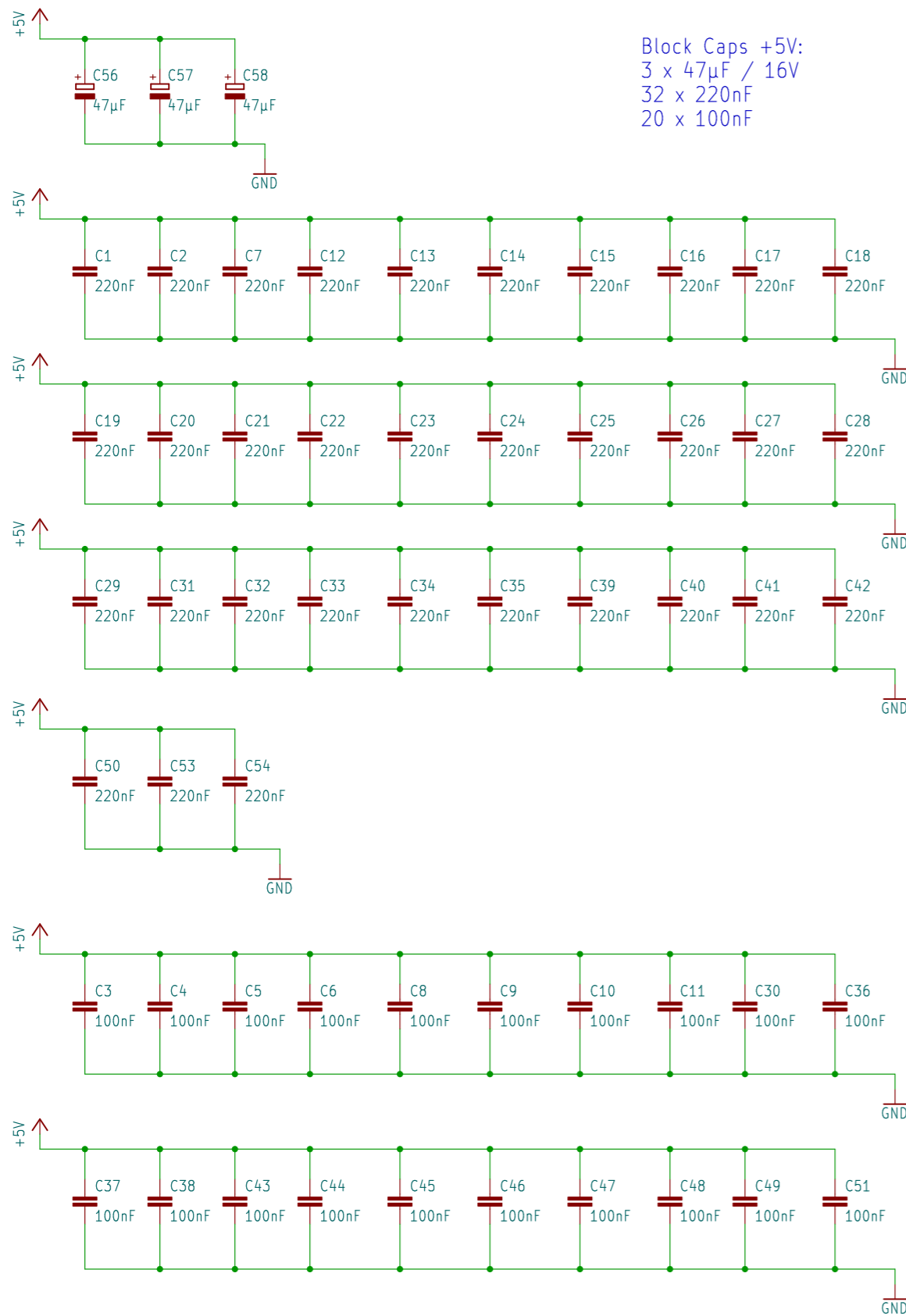
Title:

Size: A3 Date: 2024-03-30

Rev:

KiCad E.D.A. 8.0.1

Id: 9/11



BLOCK CAPS		
Sheet: /10_BLOCK CAPS/ File: A2088XT_RA_10.kicad_sch		
Title:		
Size: A3	Date: 2024-03-30	Rev:
KiCad E.D.A. 8.0.1		Id: 10/11